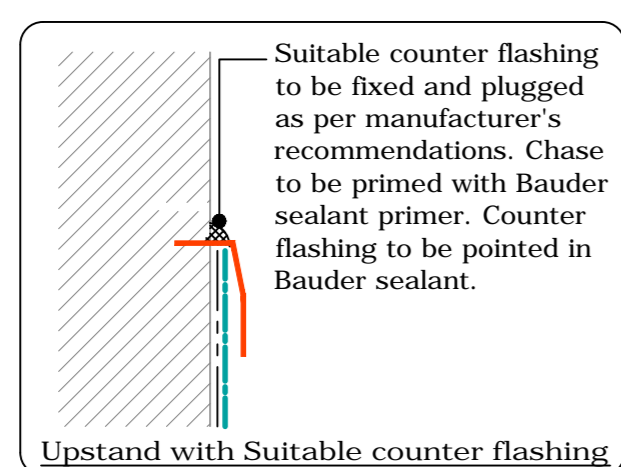
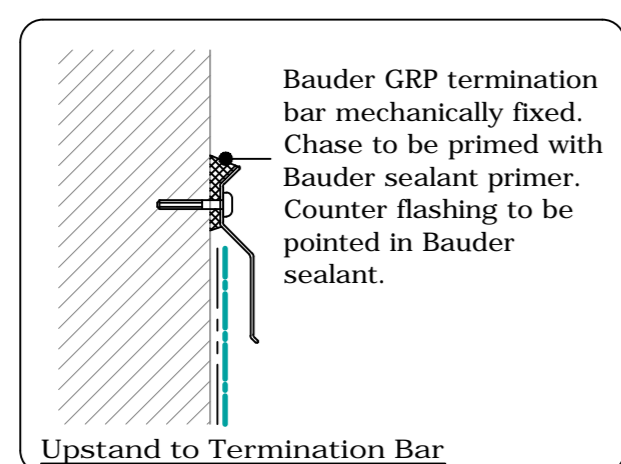
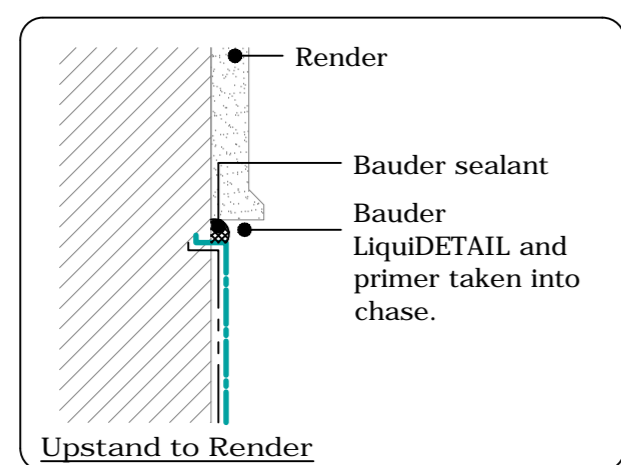
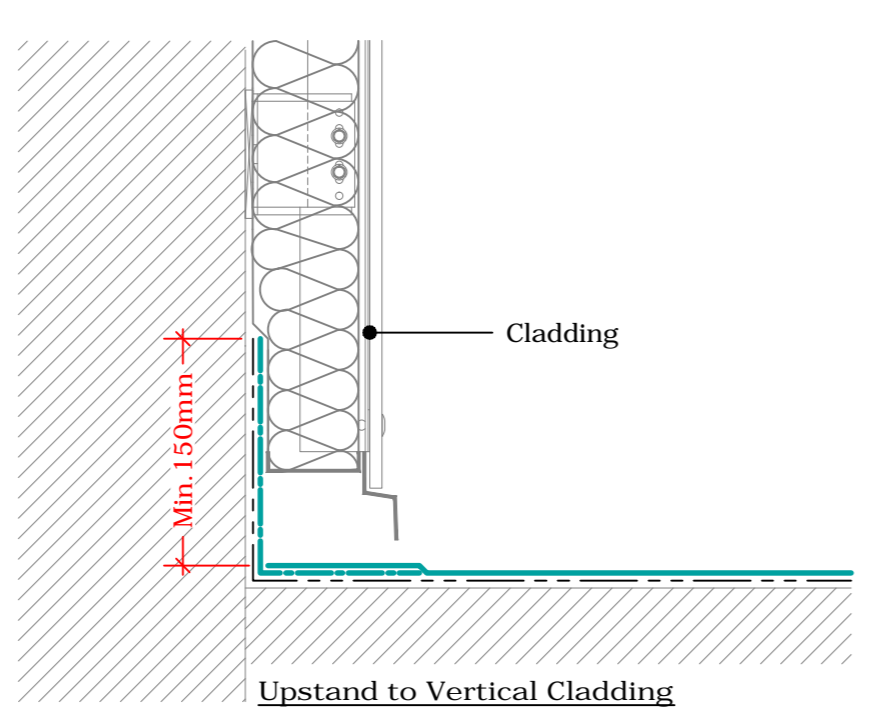
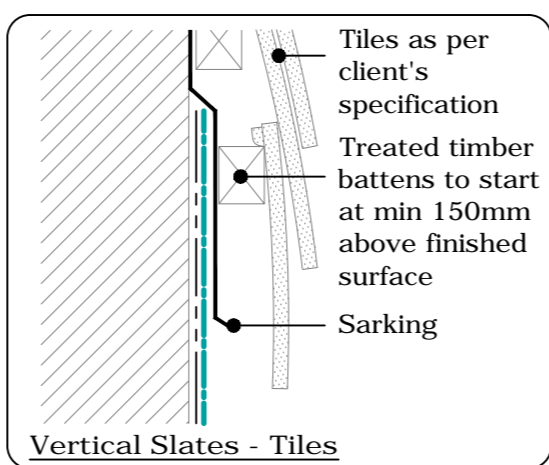


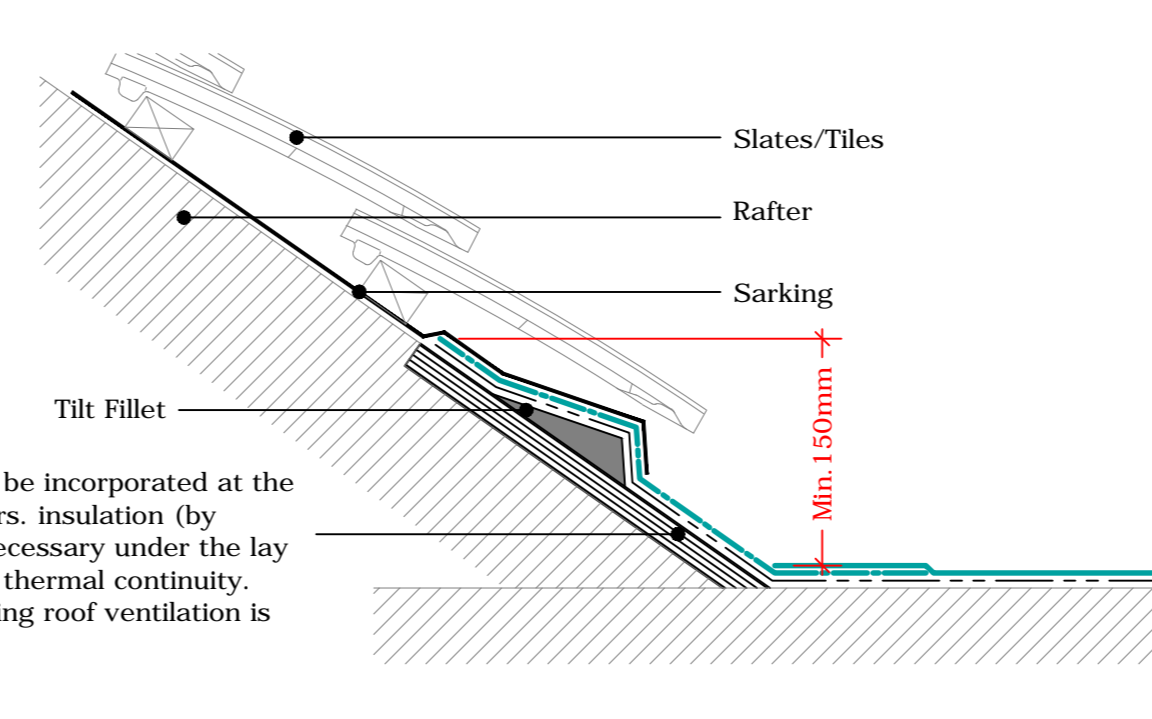
Alternative Details



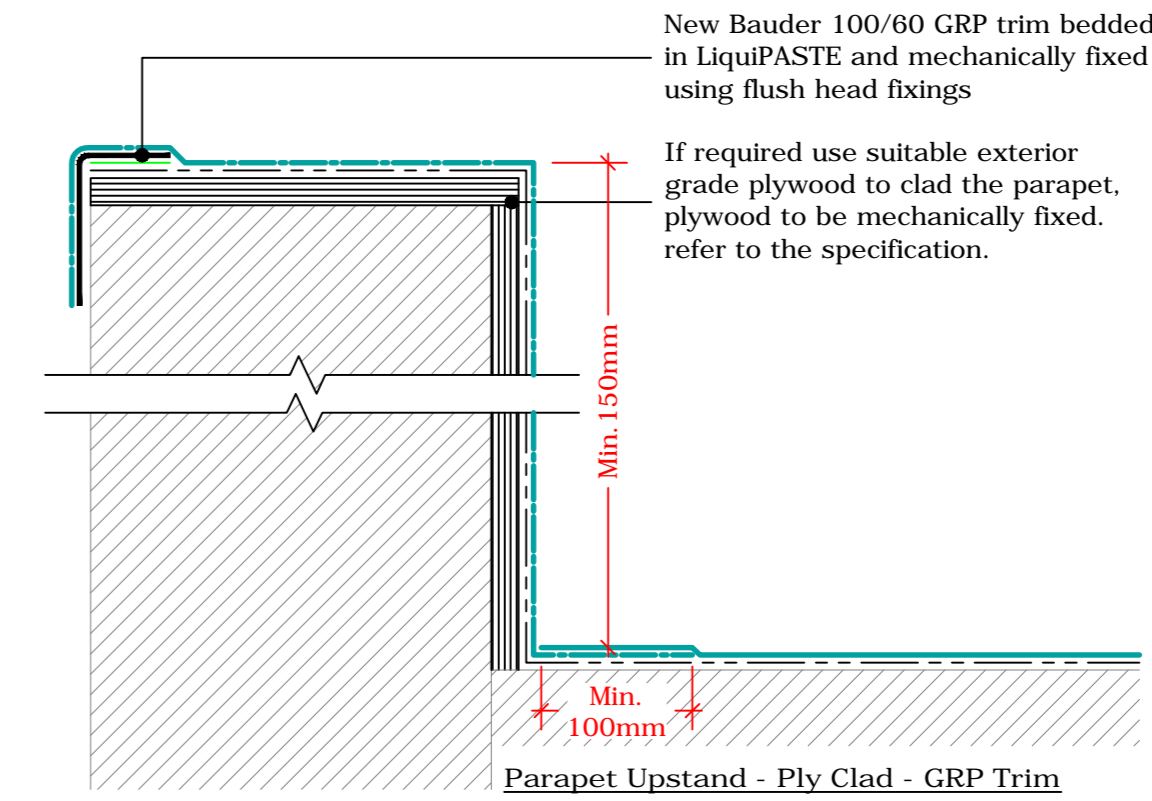
Alternative Details



Upstand to Vertical Cladding or Slates/Tiles
(Drg.No: D0705-00C-101_002)

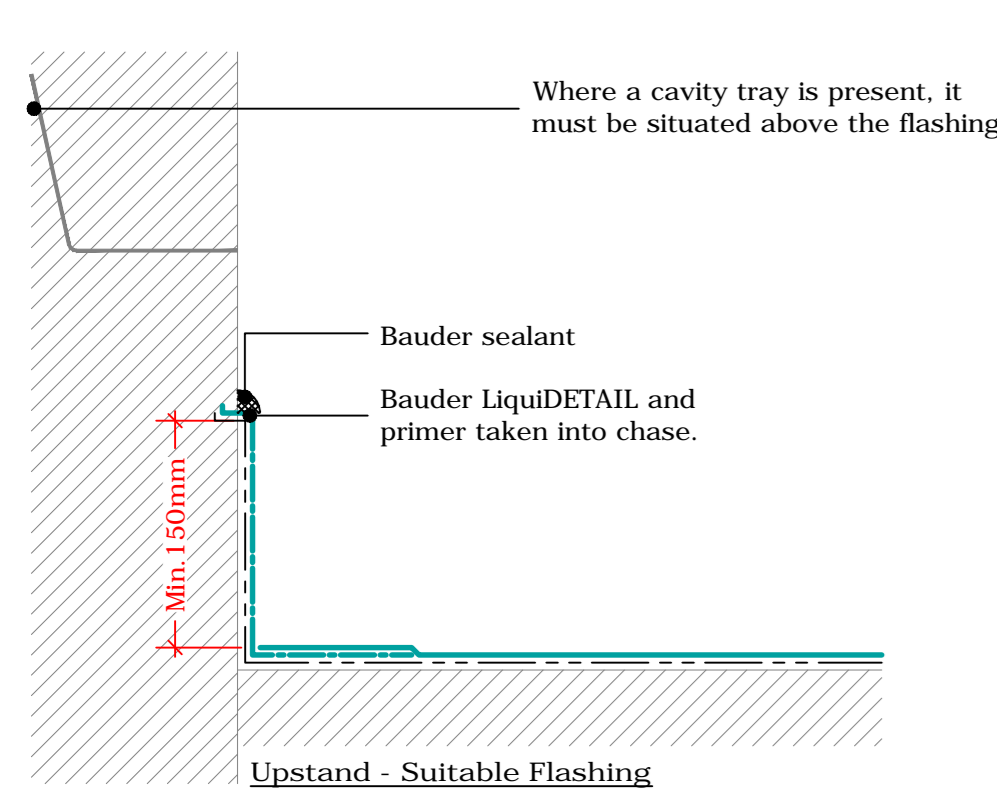
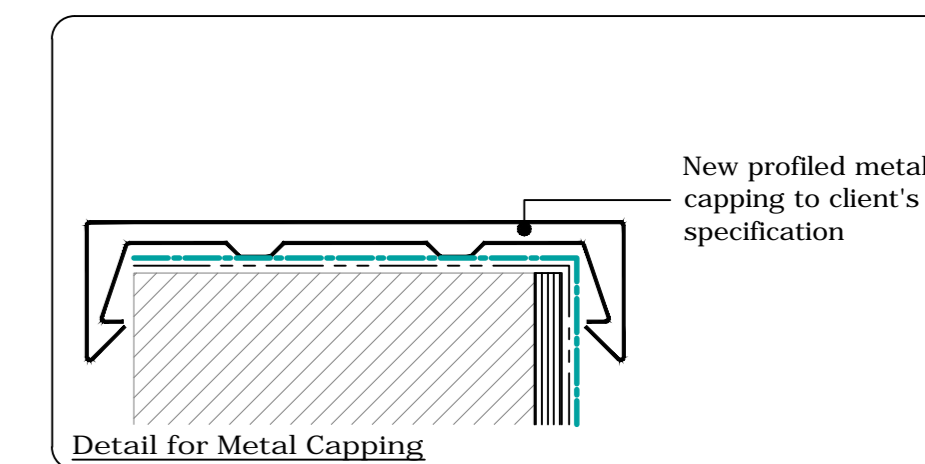
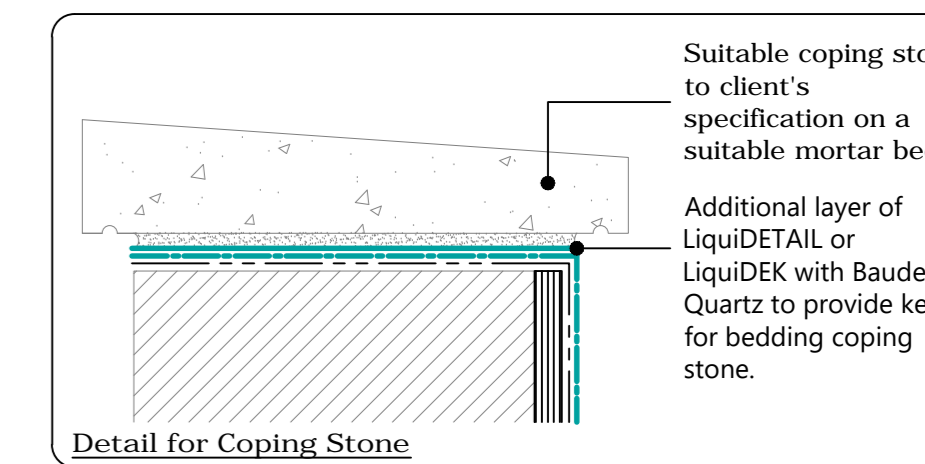


Upstand to Pitched Roof
(Drg.No: D0705-00C-001_004)

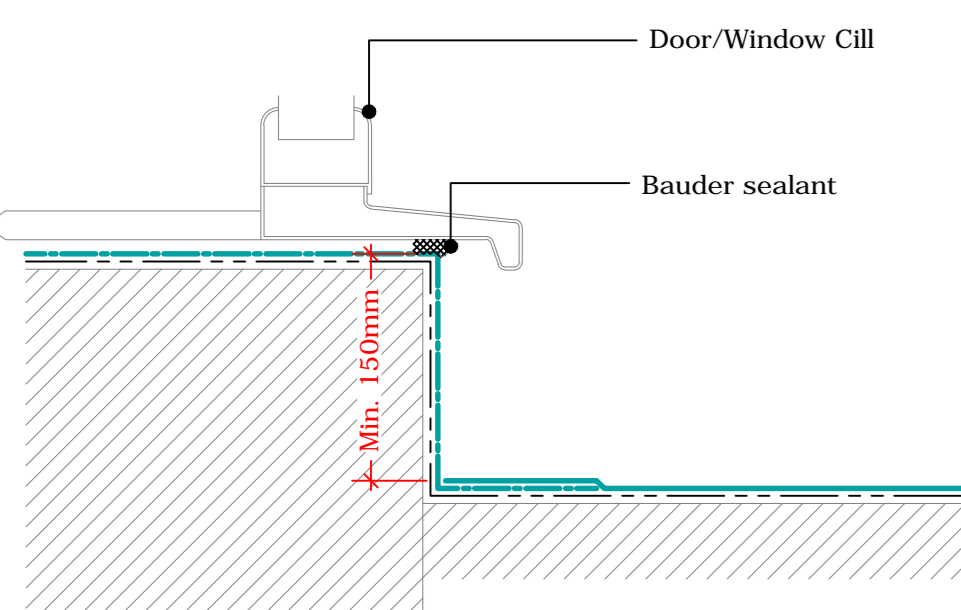


Parapet Upstand
(Drg.No: D0705-00C-103_001)

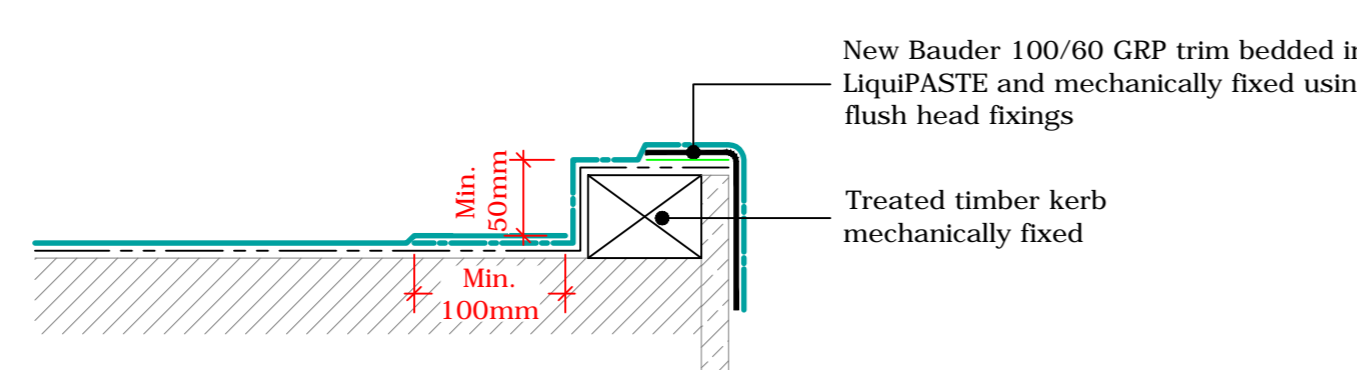
Alternative Details



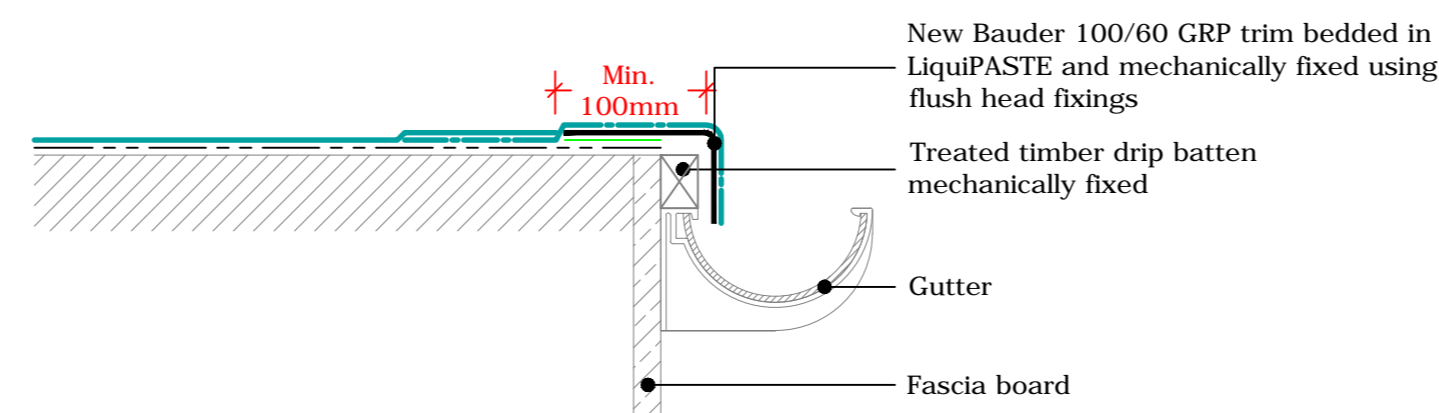
Upstand Options
(Drg.No: D0705-00C-101_001)



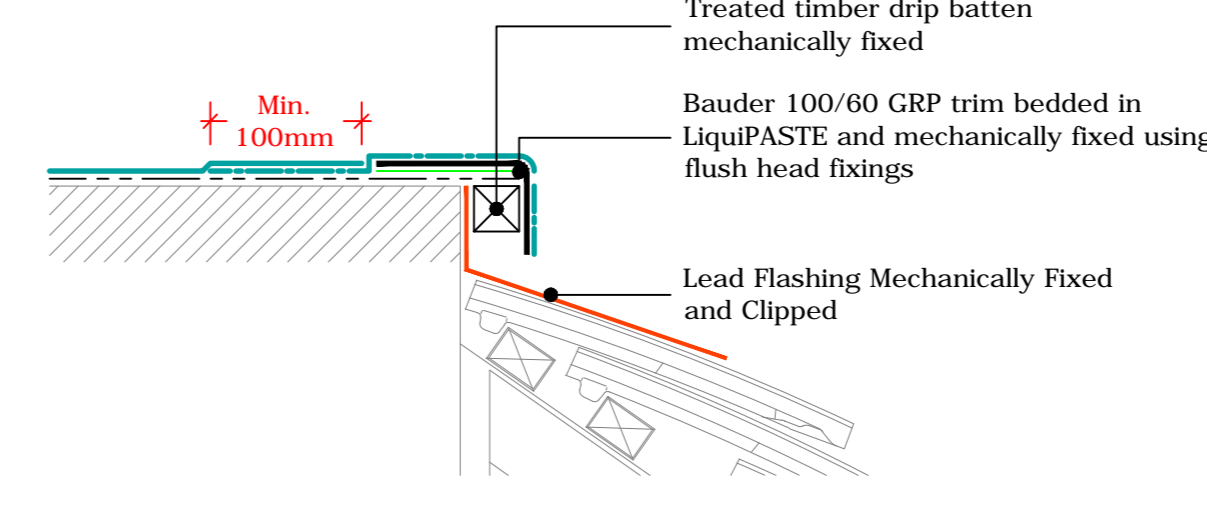
Upstand to Raised Cills
(Drg.No: D0705-00C-002_003)



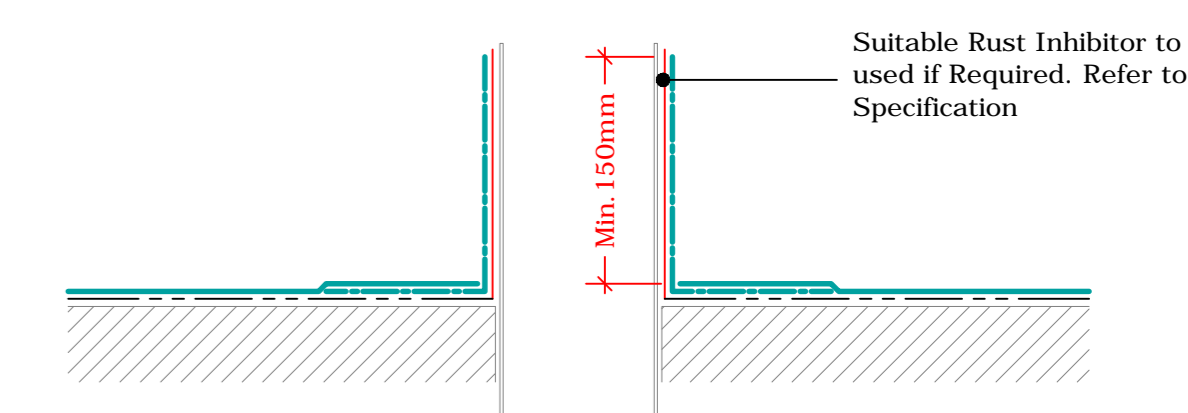
Perimeter Kerb
(Drg.No: D0705-00C-006_005)



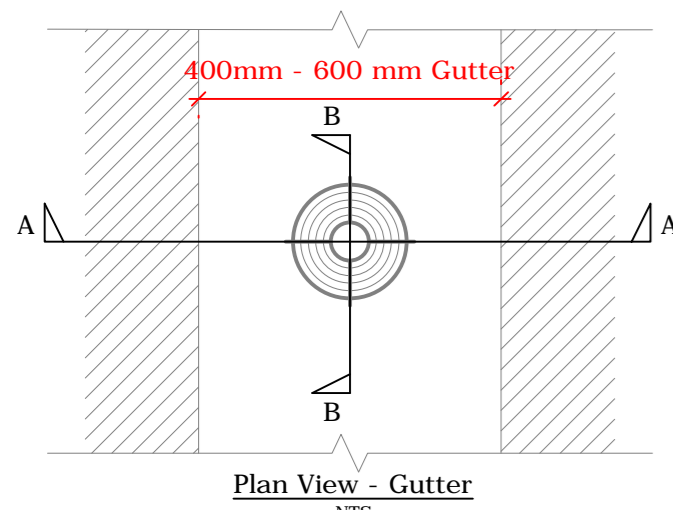
External Gutter
(Drg.No: D0705-00C-006_005)



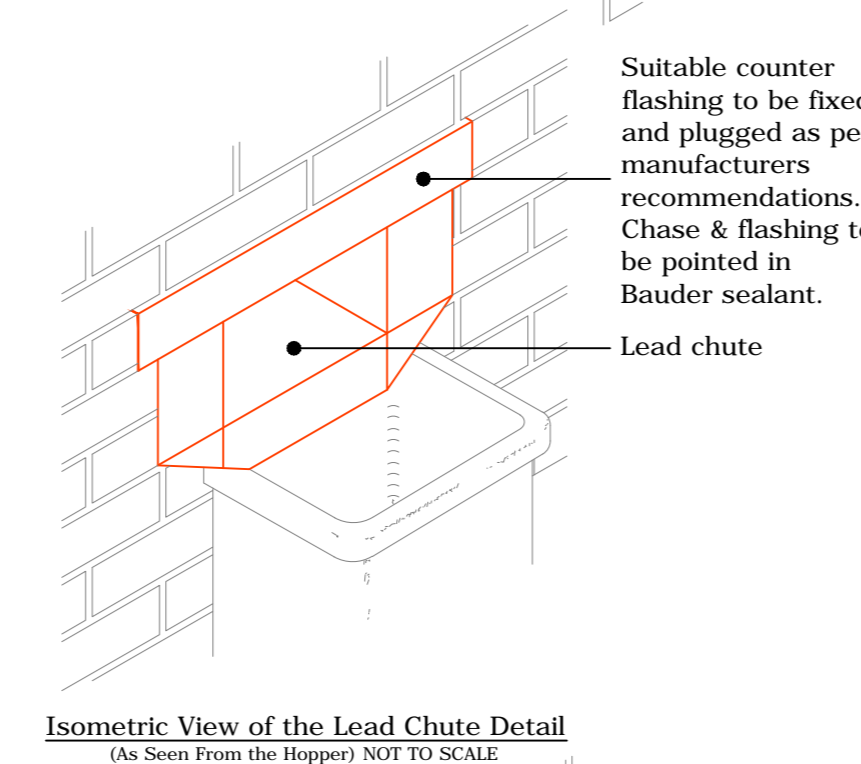
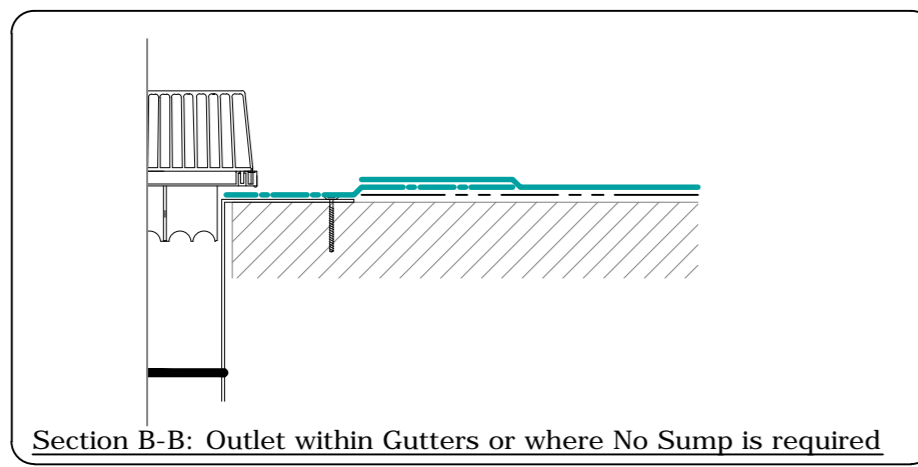
Mansard Roof
(Drg.No: D0705-00C-006_007)



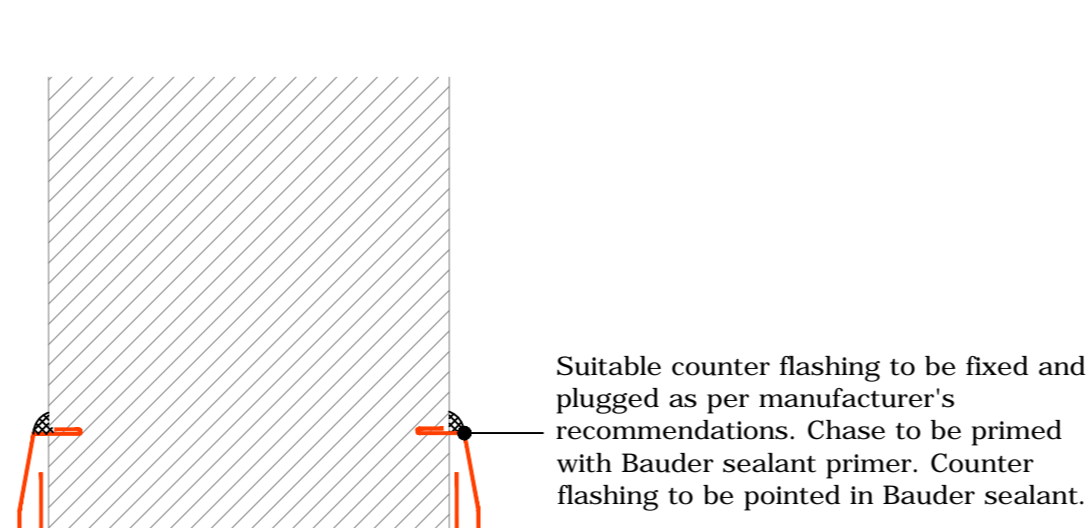
Upstand - Soil Vent Pipe
(Drg.No: D0705-00C-007_001)



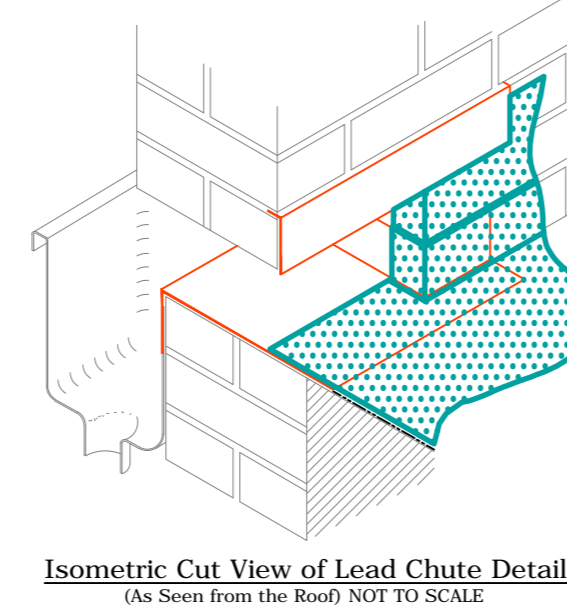
Alternative Detail



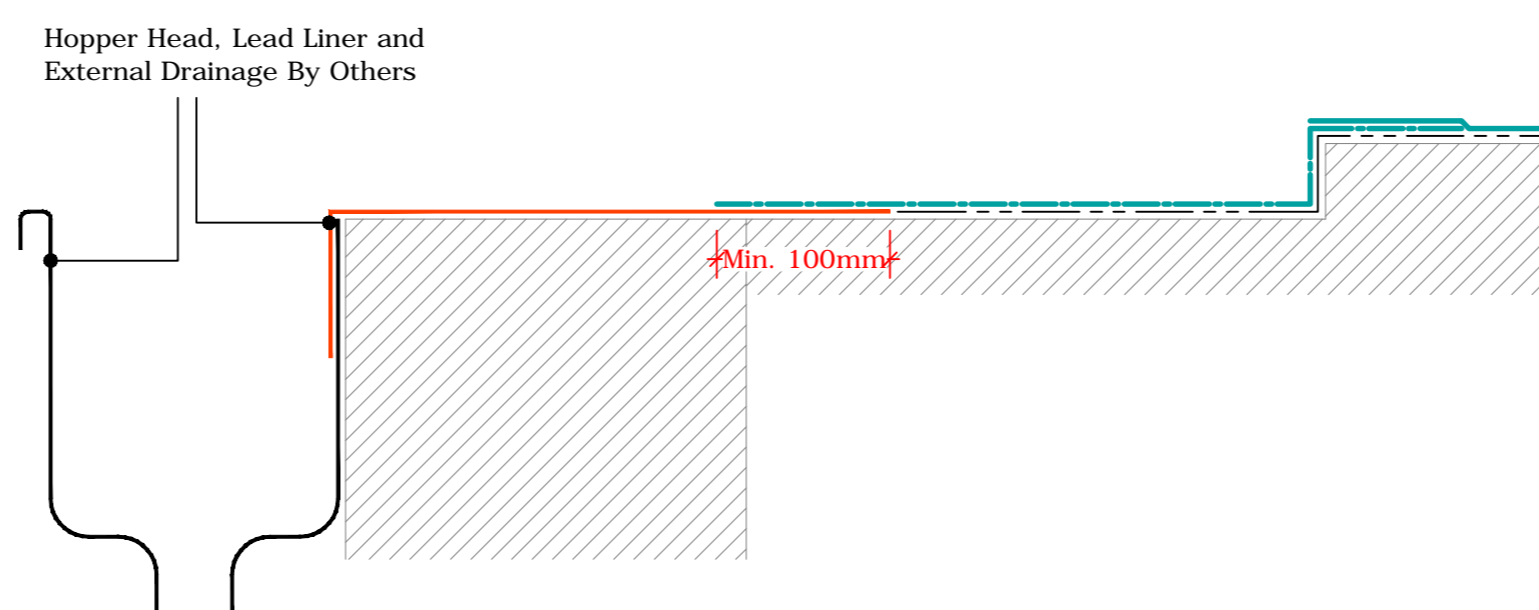
Isometric View of the Lead Chute Detail
(As Seen From the Hopper) NOT TO SCALE



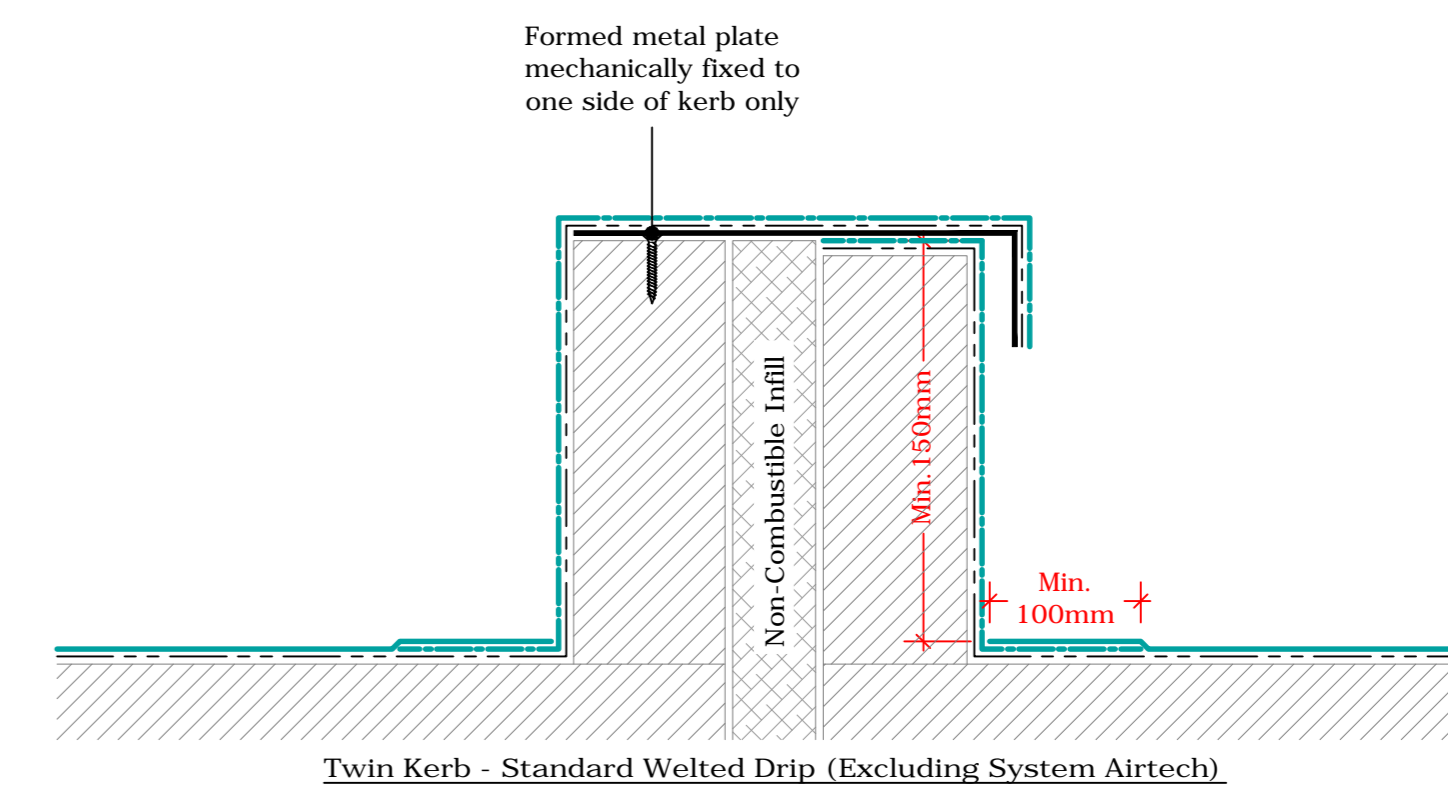
Hopper Head, Lead Liner and External Drainage By Others



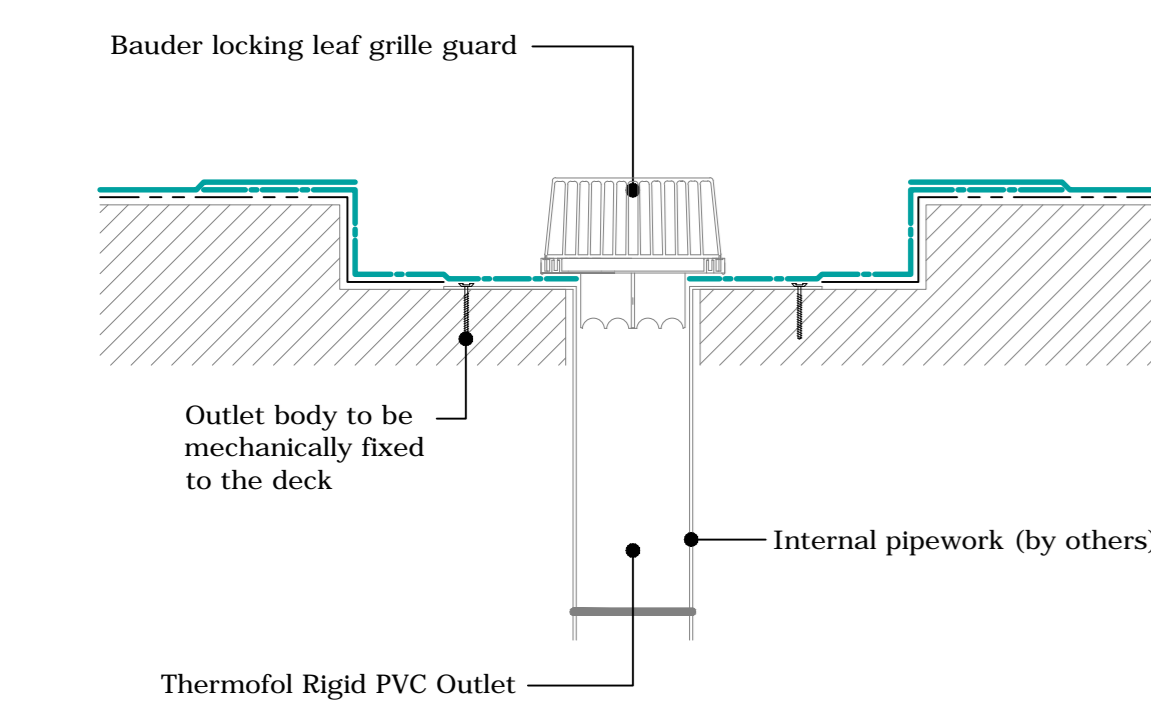
Isometric Cut View of Lead Chute Detail
(As Seen From the Roof) NOT TO SCALE



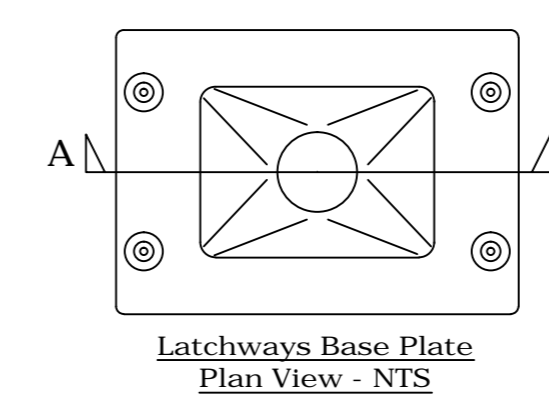
Upstand - Lead Chute
(Drg.No: D0705-00C-106_002)



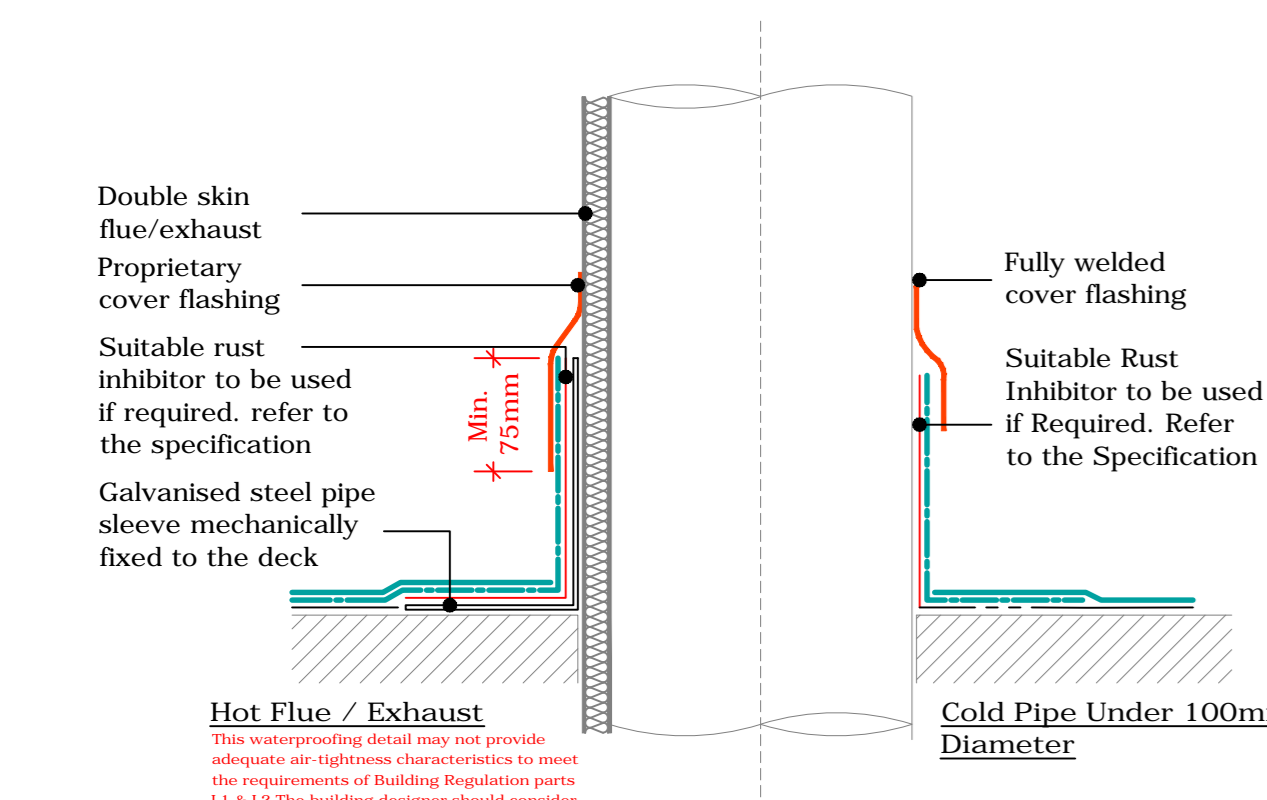
Twin Kerb - Standard Welded Drip (Excluding System Airtech)



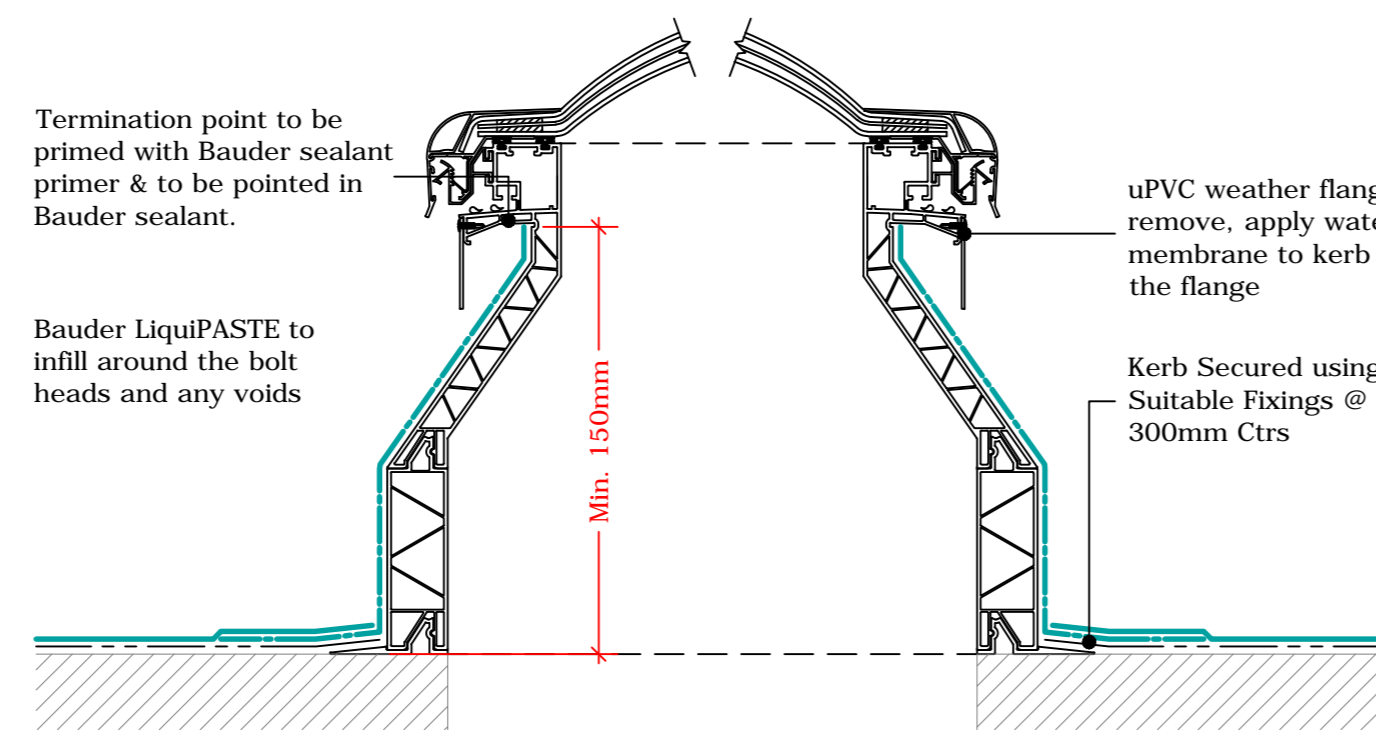
Bauder Thermofol Rigid PVC Outlet
(Drg.No: D0705-00C-006_001)



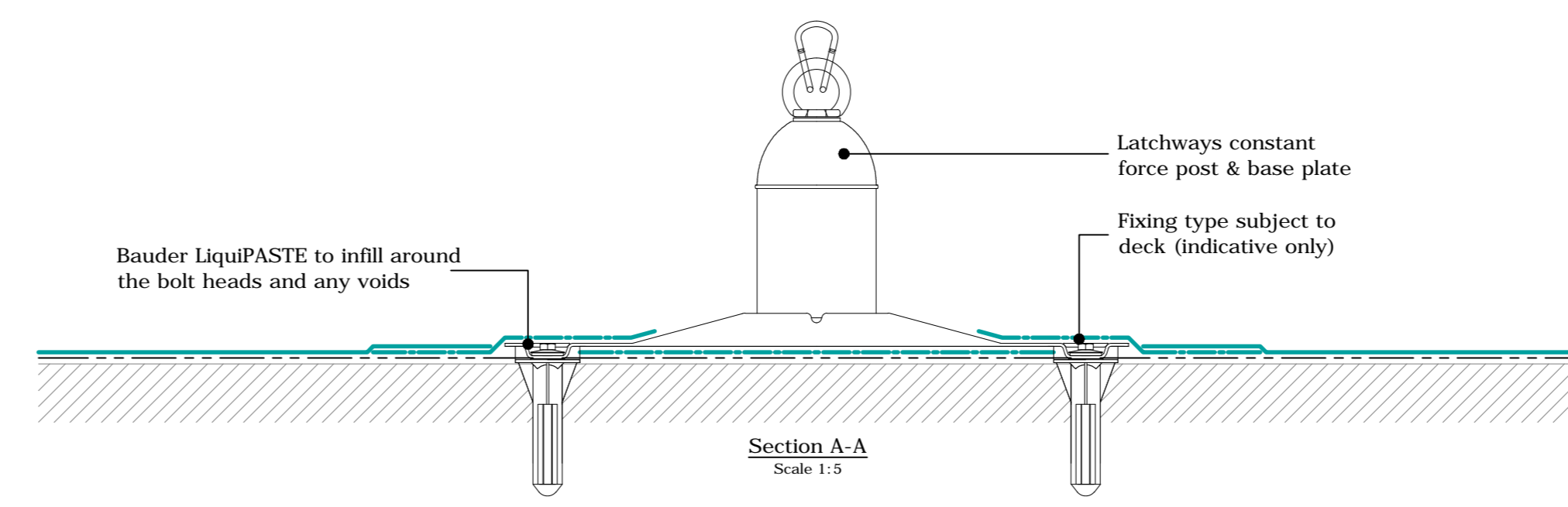
Latchways Base Plate
Plan View - NIS



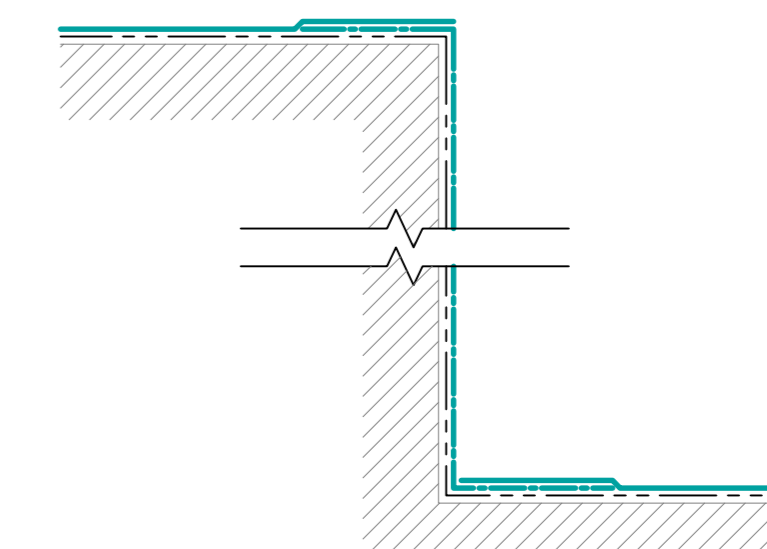
Upstand to Hot Flue and Cold Pipe
(Drg.No: D0705-00C-007_002)



Rooflight - EuroGlaze
(Drg.No: D0705-00C-008_001)



Latchways Constant Force Post
(Drg.No: D0705-00C-009_001)



Change In Levels
(Drg.No: D0705-00C-010_001)

Key	
	Bauder LiquiDEK (Overlapping 110g Reinforcement fleece)
	Bauder LiquiDETAIL (Overlapping 110g Reinforcement fleece)
	Bauder LiquiPRIME
	Bauder LiquiPASTE
	Unknown Deck / Substrate
	Bauder 100/60 GRP Trim
	Treated Timber

- IMPORTANT NOTES:**
- This detail is suitable for the following Bauder Systems: Bauder LiquiTEC Roof Systems.
 - This Drawing Shows Alternative Options. For the Correct Solution to be Used, Refer to the Project Specific Specification.
 - Do not scale to ascertain dimensions.
 - All dimensions to be checked and verified on site prior to commencement of work.
 - This drawing is to be read in conjunction with the specification and associated drawings.
 - This detail is a guideline only, representing typical detailing conditions and illustrate the correct application of the above Bauder Systems. It may be necessary to modify this detail to suit specific project design constraints and conditions.
 - Refer to the Bauder Specification for the product description and method of application. For clarity the method of attachment has not been shown.
 - Provision should be made by the installer for mechanically fixing the top leading edge of all upstand details in excess of 200mm in height using appropriate fasteners.



UK OFFICE
Bauder Limited
70 Lonsdale Road, Ipswich,
Suffolk, IP1 0DR, England
Tel: +44 (0) 1473 237671
Fax: +44 (0) 1473 237671
Email: technical@bauder.co.uk
bauder.co.uk

IRELAND OFFICE
Bauder Limited
O'Duffy Centre, Cross Lane,
Carrigrohane, Co. Wexford,
Ireland
Tel: +353 (0) 42 8662 333
Fax: +353 (0) 42 8662 830
Email: technical@bauder.ie
bauder.ie

LIQUITEC TYPICAL DETAILS (Cold Roof)			
Scale	Drawing No.	Revision	Date
1:5	D0705-00C_100_001	0	
Drawn By:	Checked By:	Approved By:	Issue Date:
CD	PH	MB	09.04.20