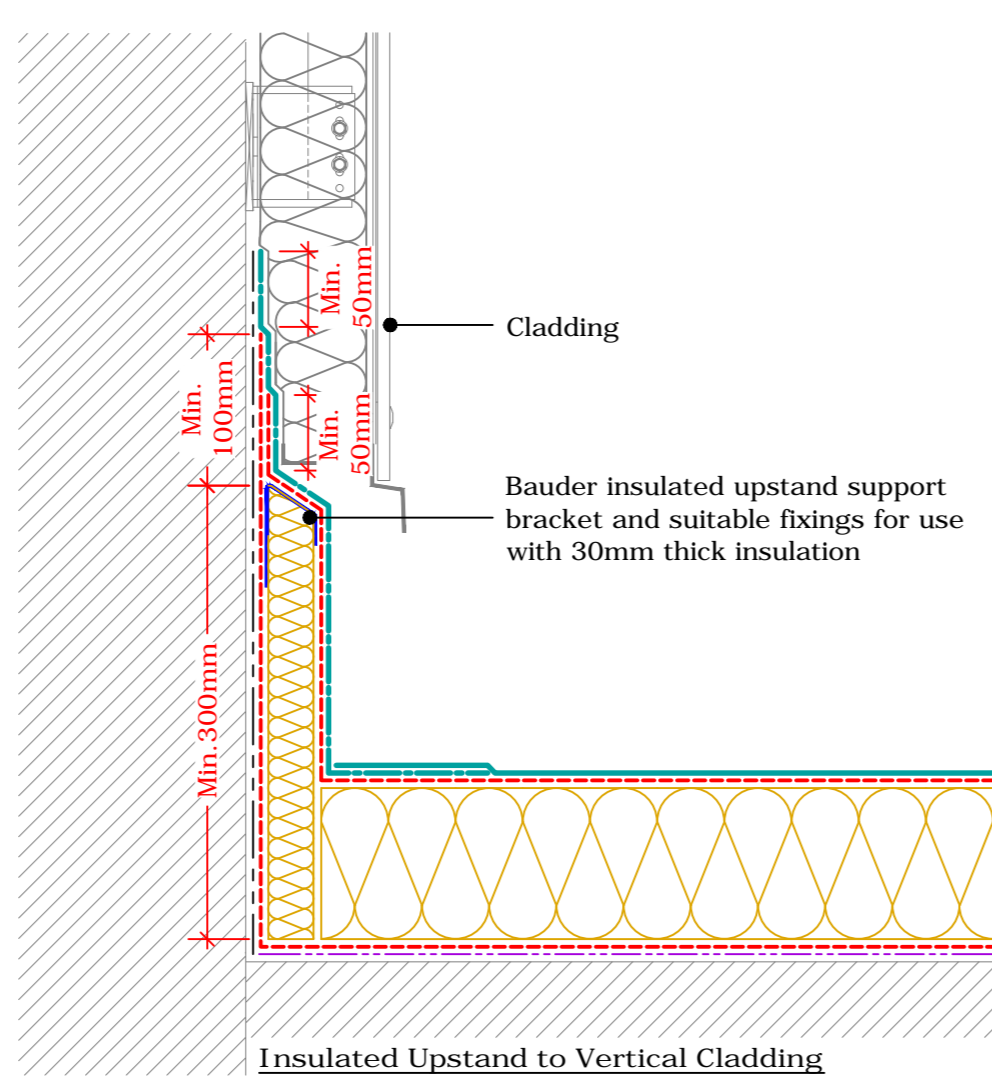
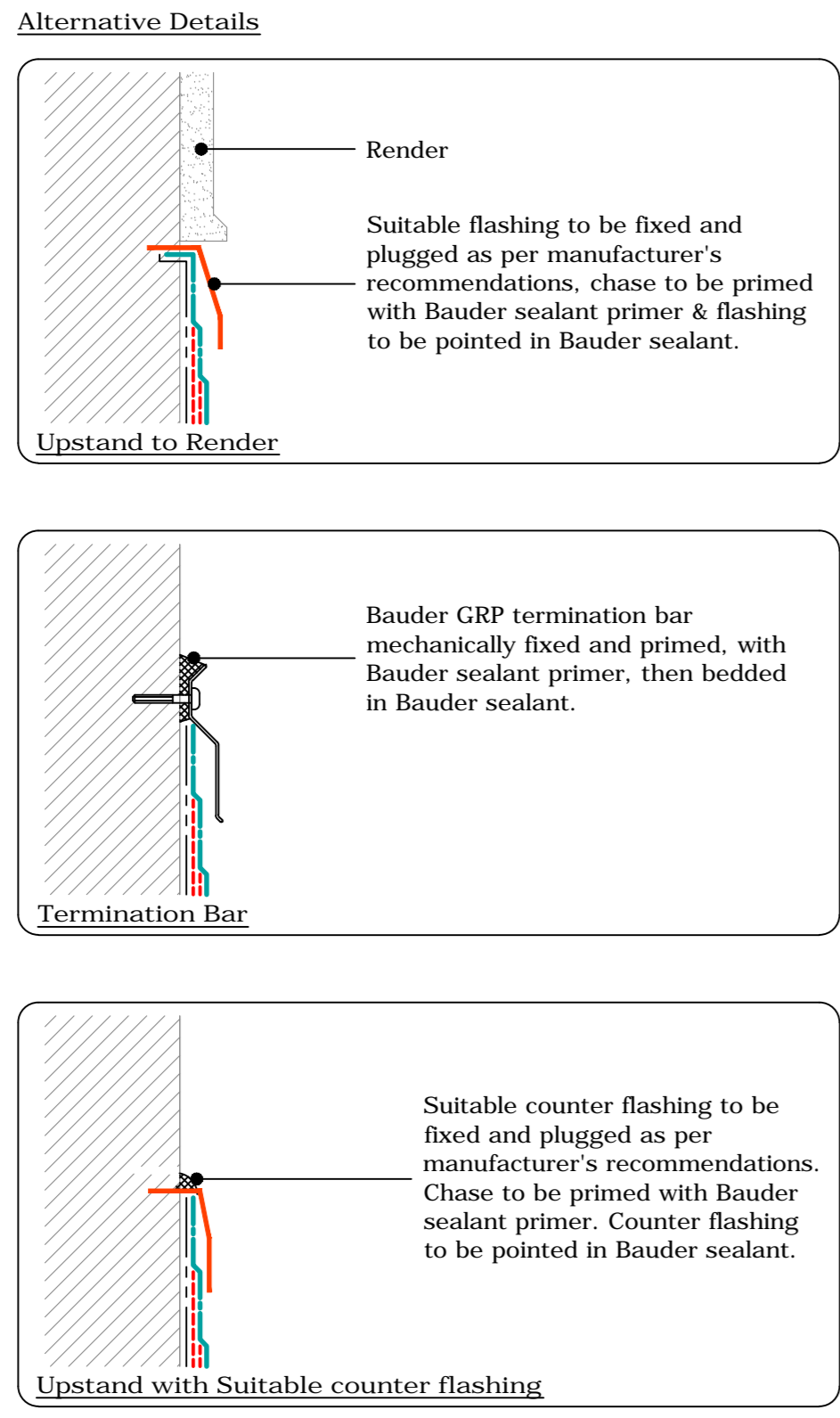
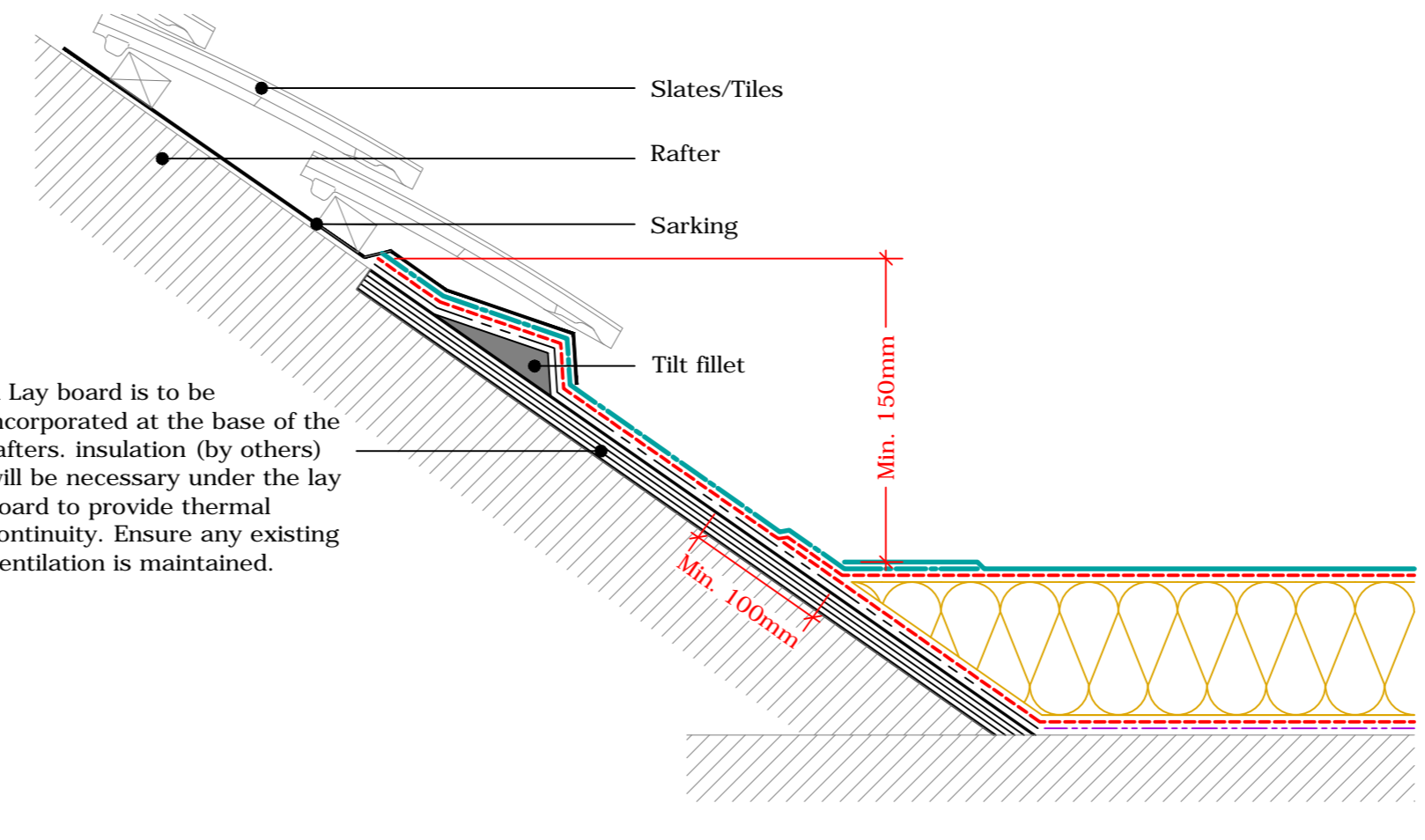
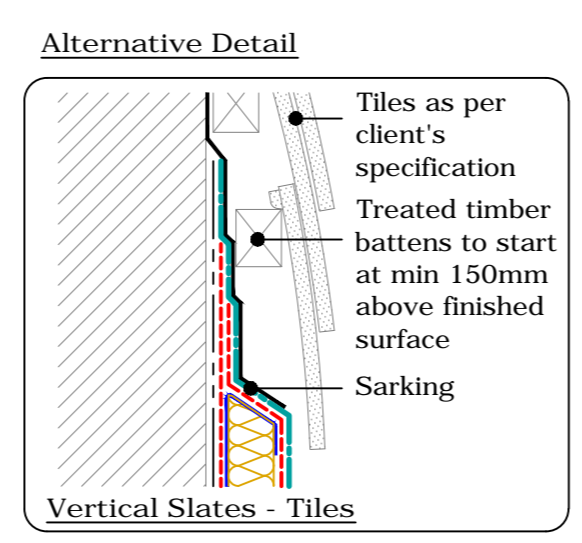


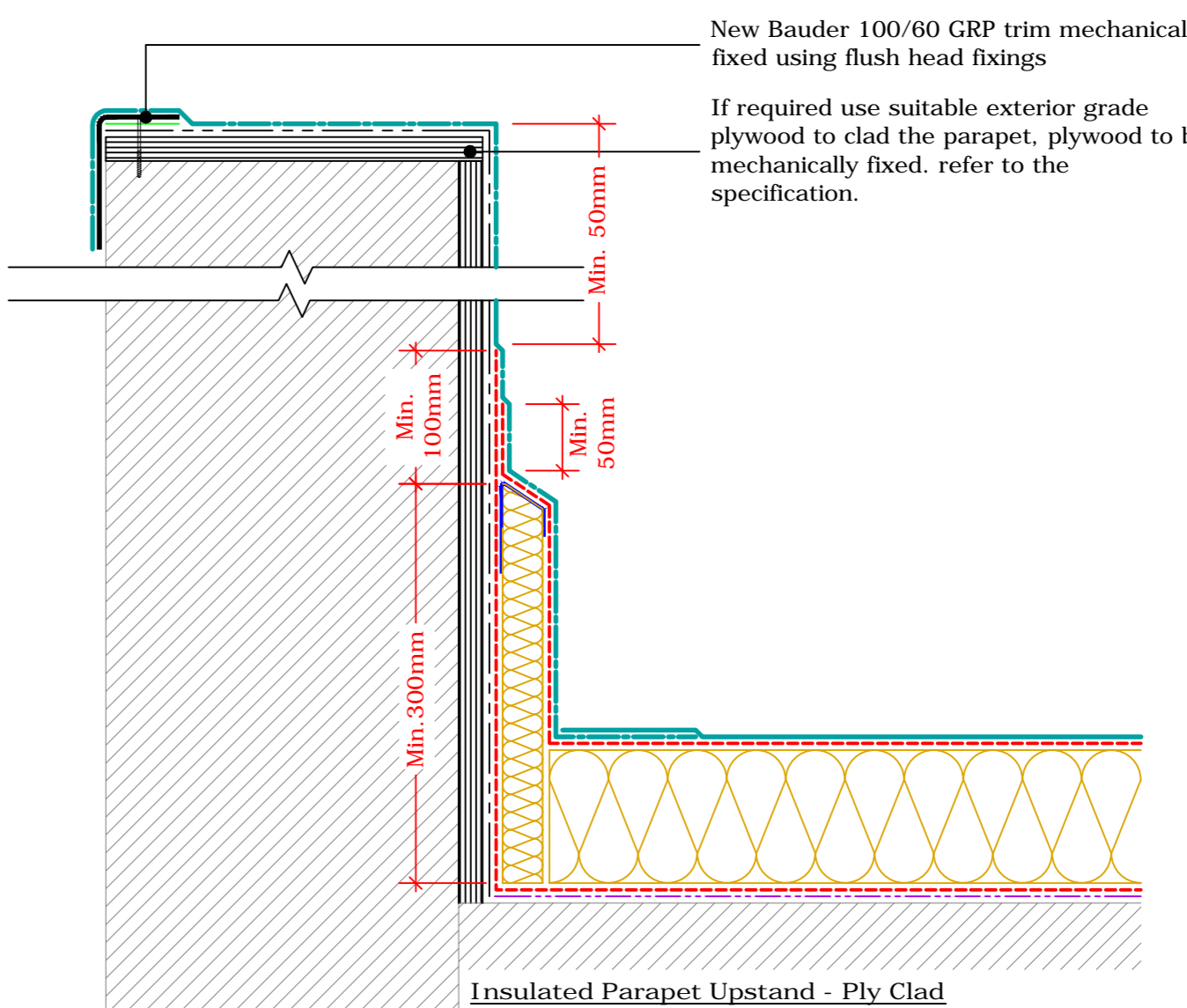
Upstand
(Drg.No: D0705-00W_201-001)



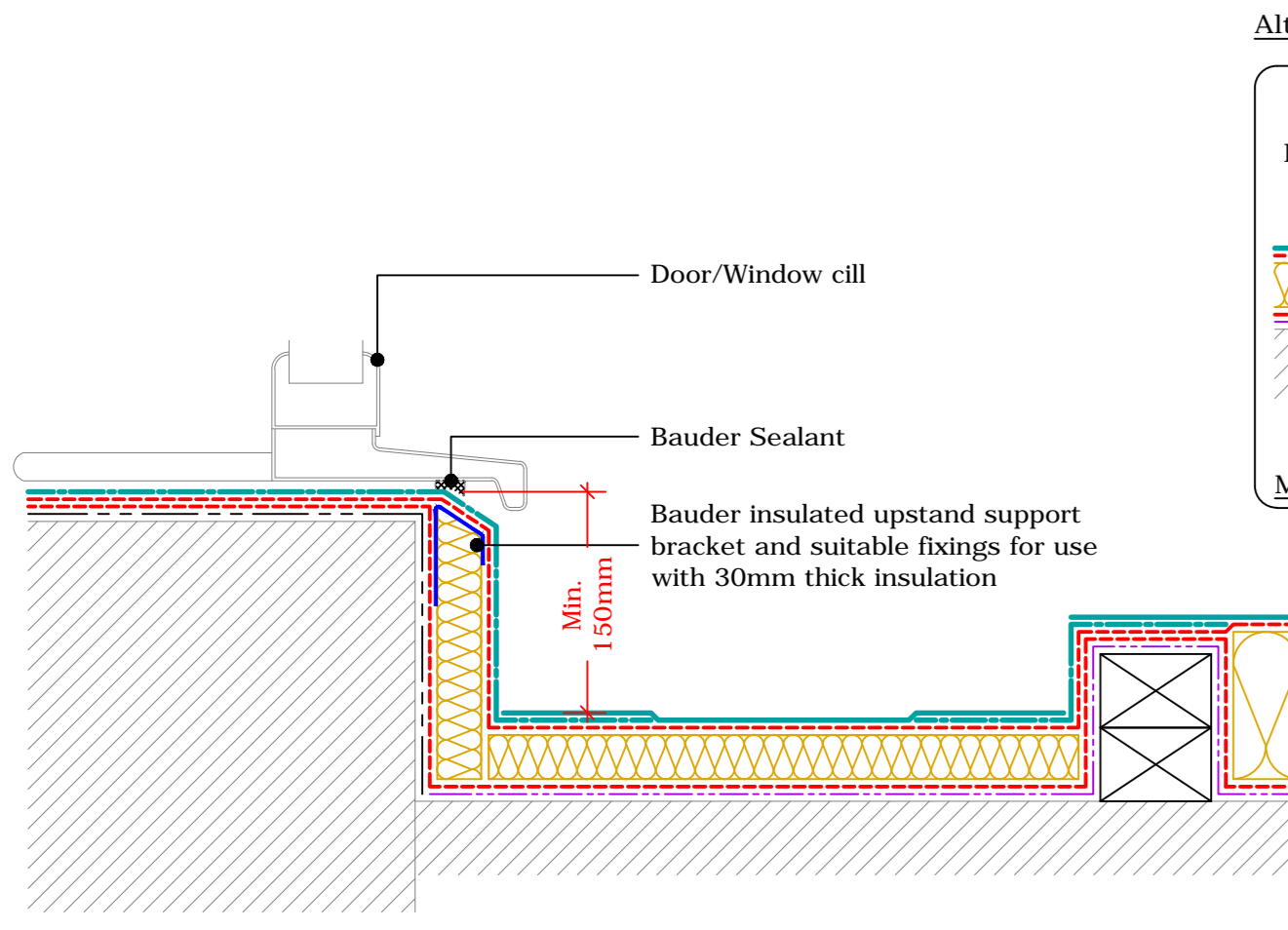
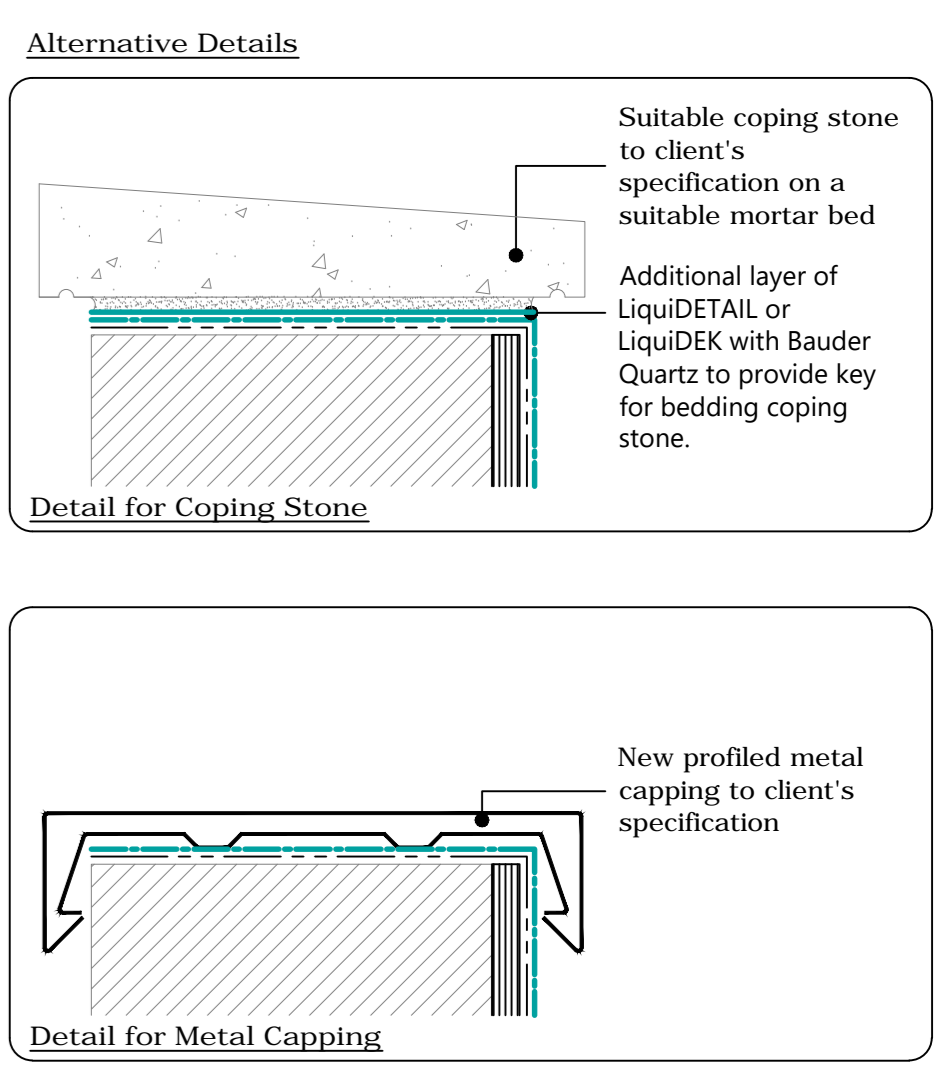
Upstand to Vertical Cladding or Slates/Tiles
(Drg.No: D0705-00W_200-001)



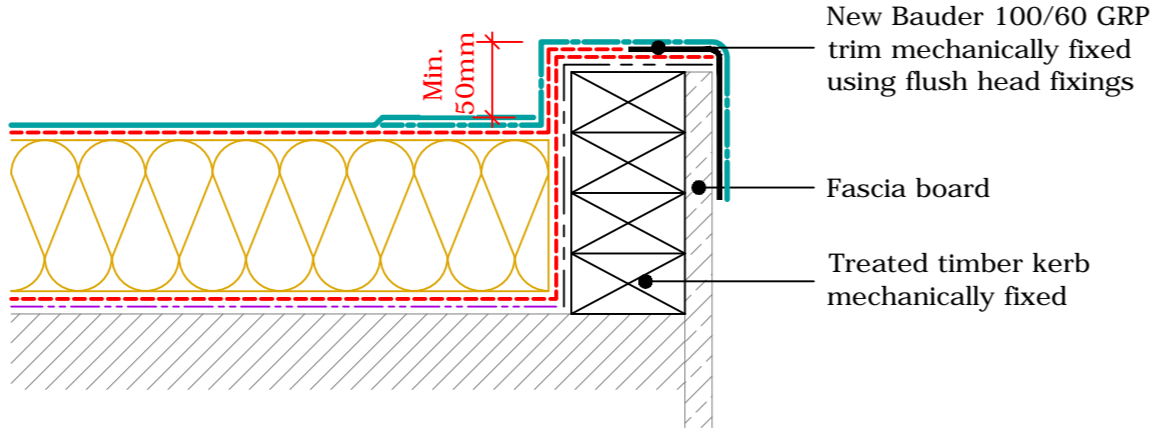
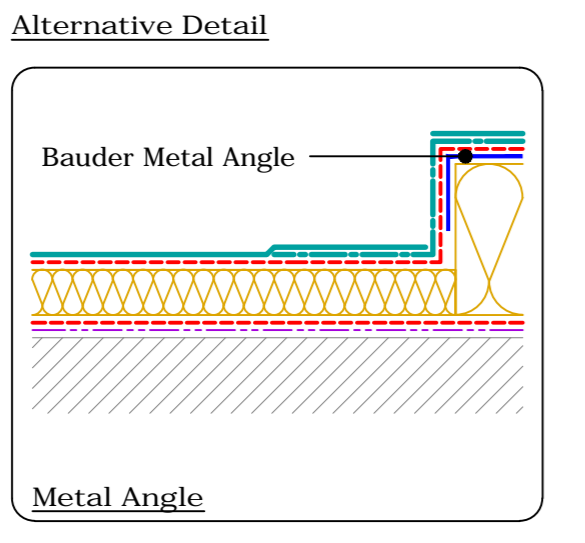
Upstand to Pitched Roof
(Drg.No: D0705-00W_001-004)



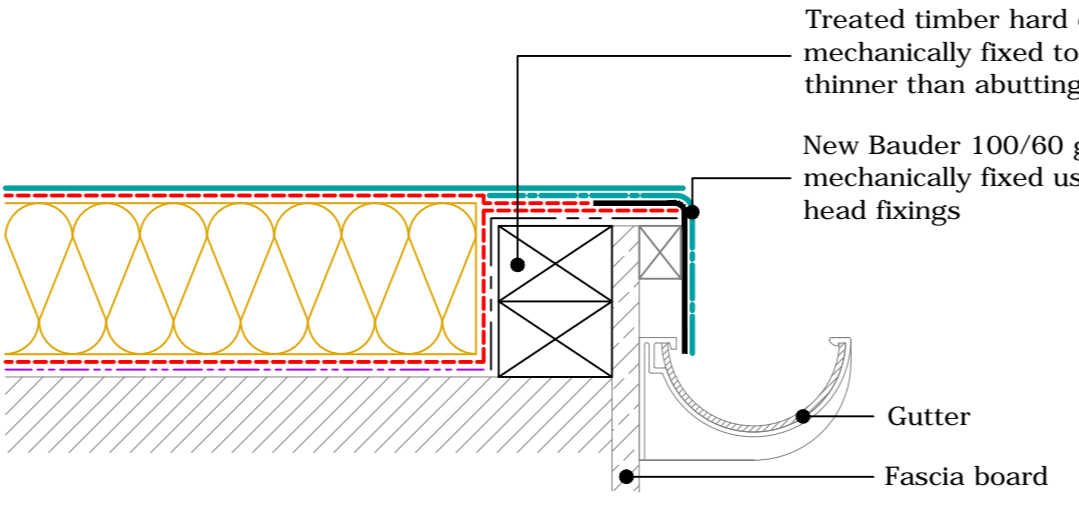
Parapet Upstand
(Drg.No: D0705-00W_203-001)



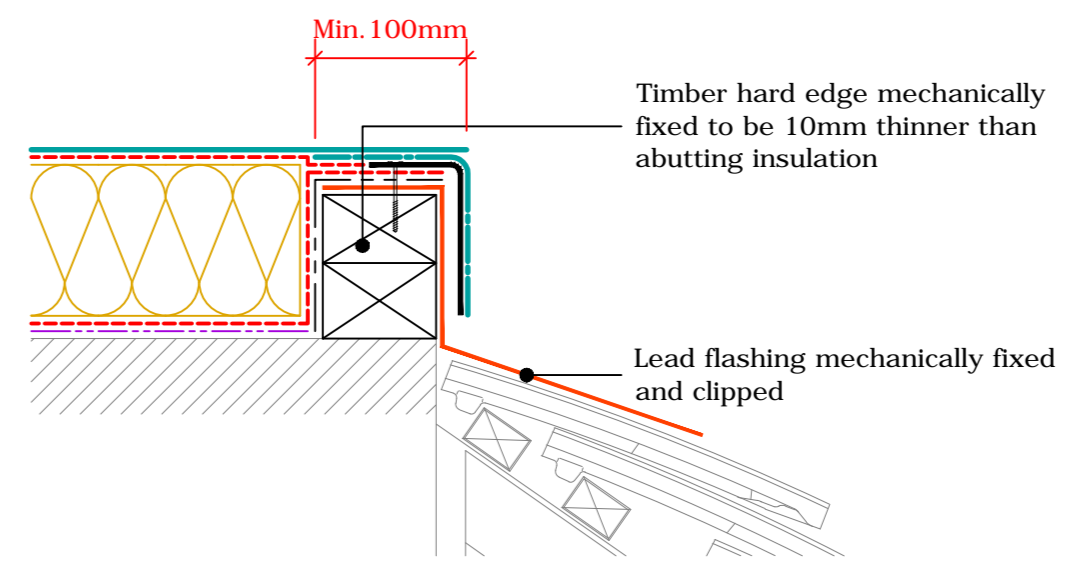
Internal Gutter to Clerestory Window
(Drg.No: D0705-00W_006-004)



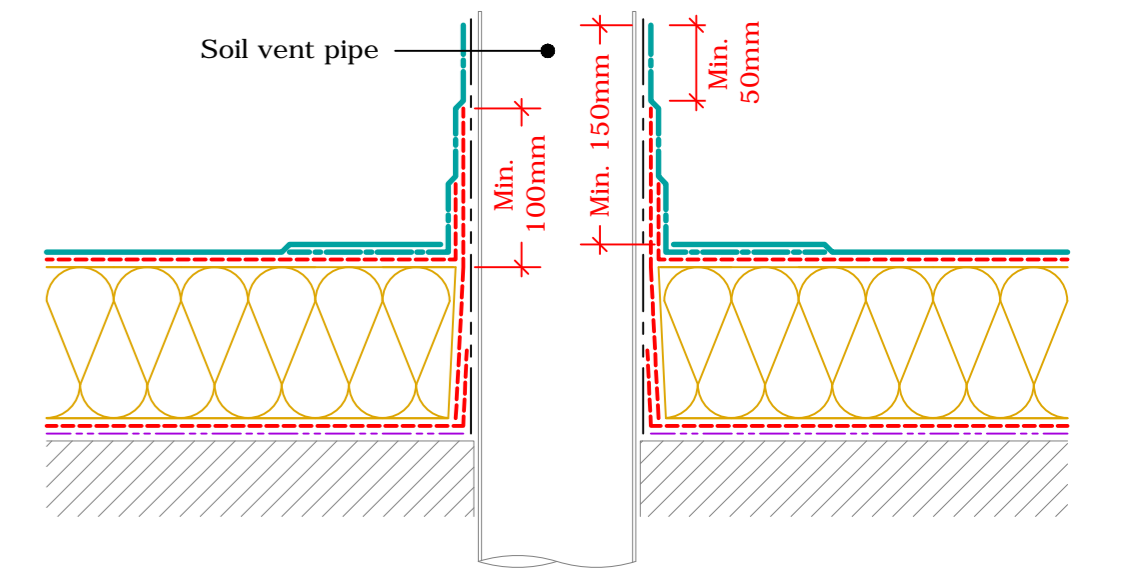
Perimeter Kerb
(Drg.No: D0705-00W_002-001)



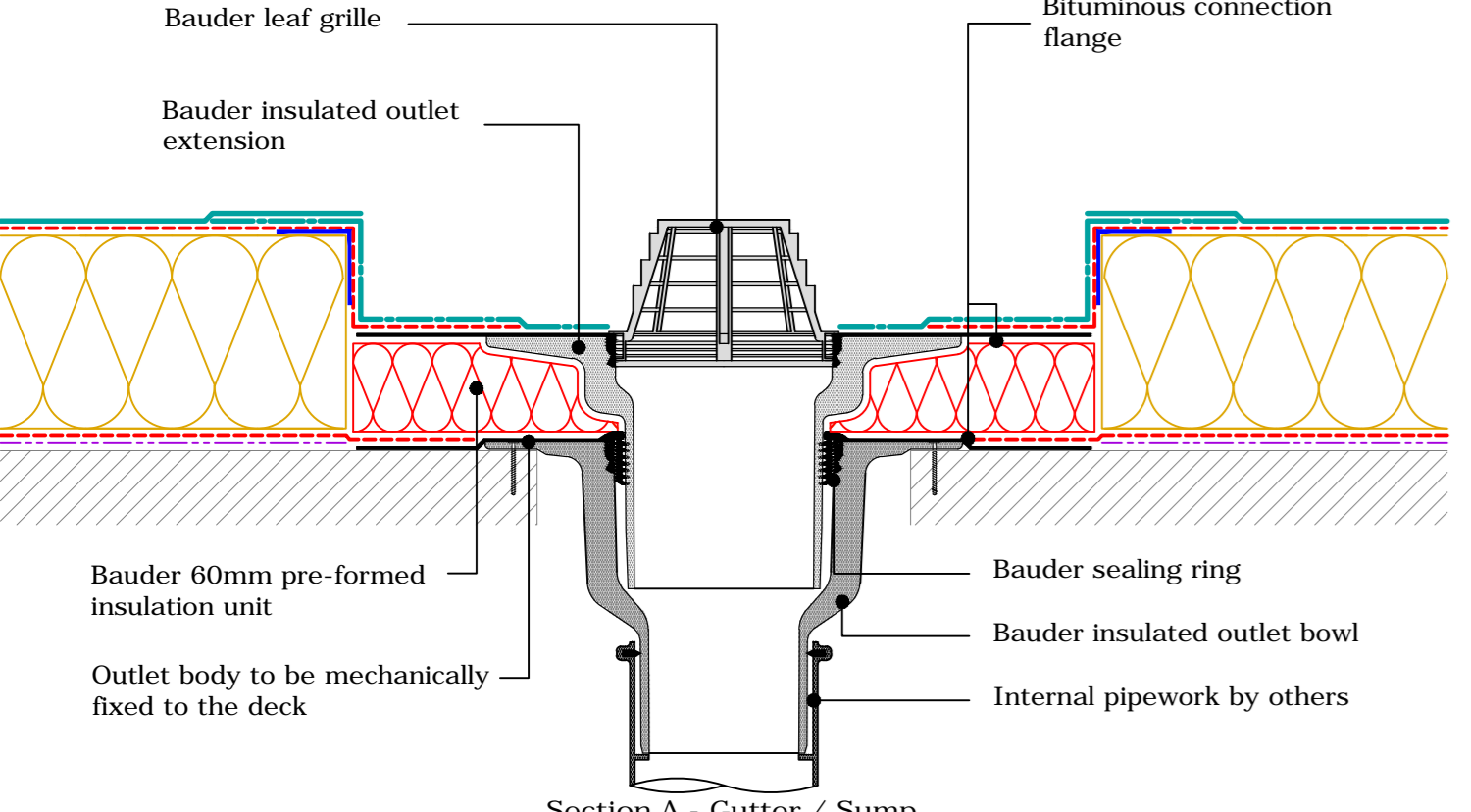
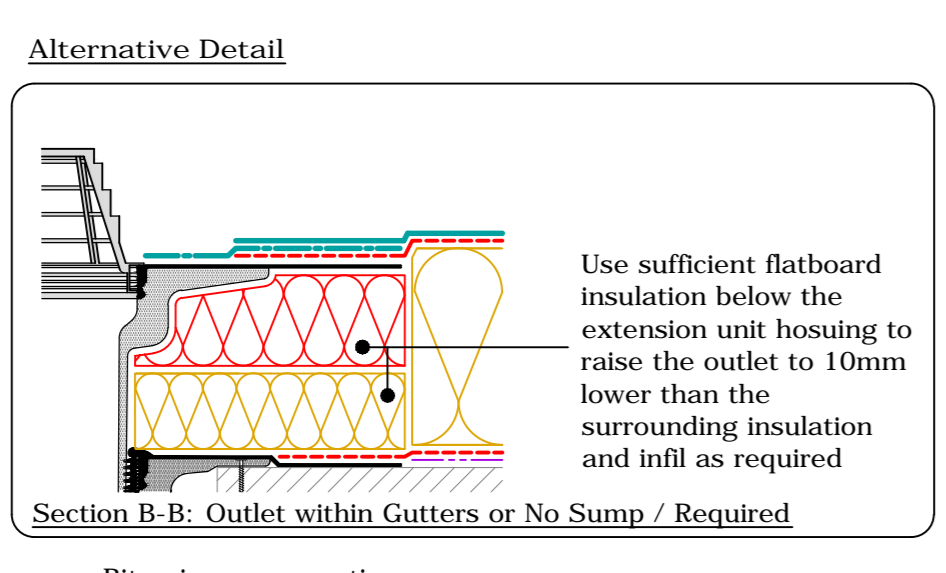
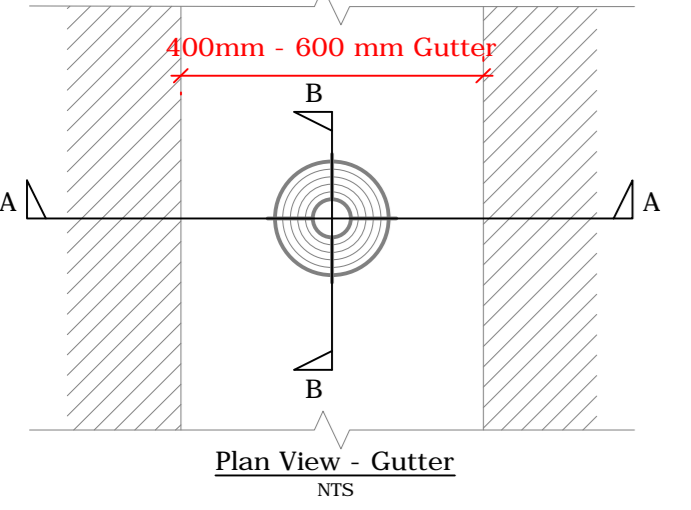
External Gutter
(Drg.No: D0705-00W_006-005)



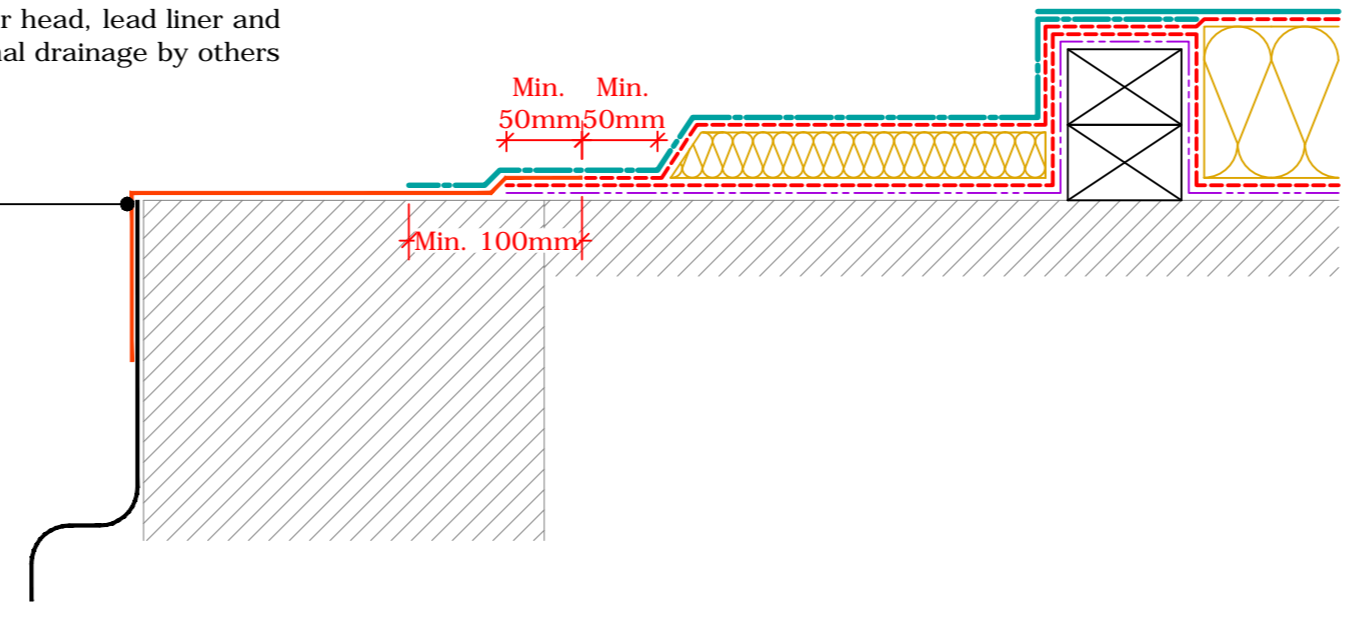
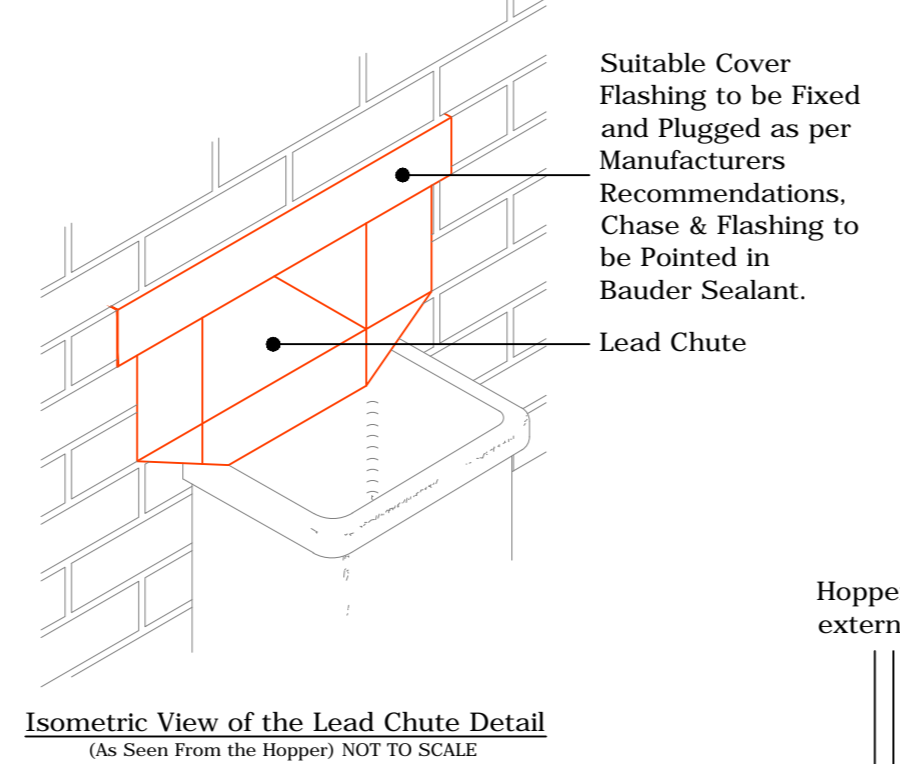
Mansard Roof
(Drg.No: D0705-00W_006-007)



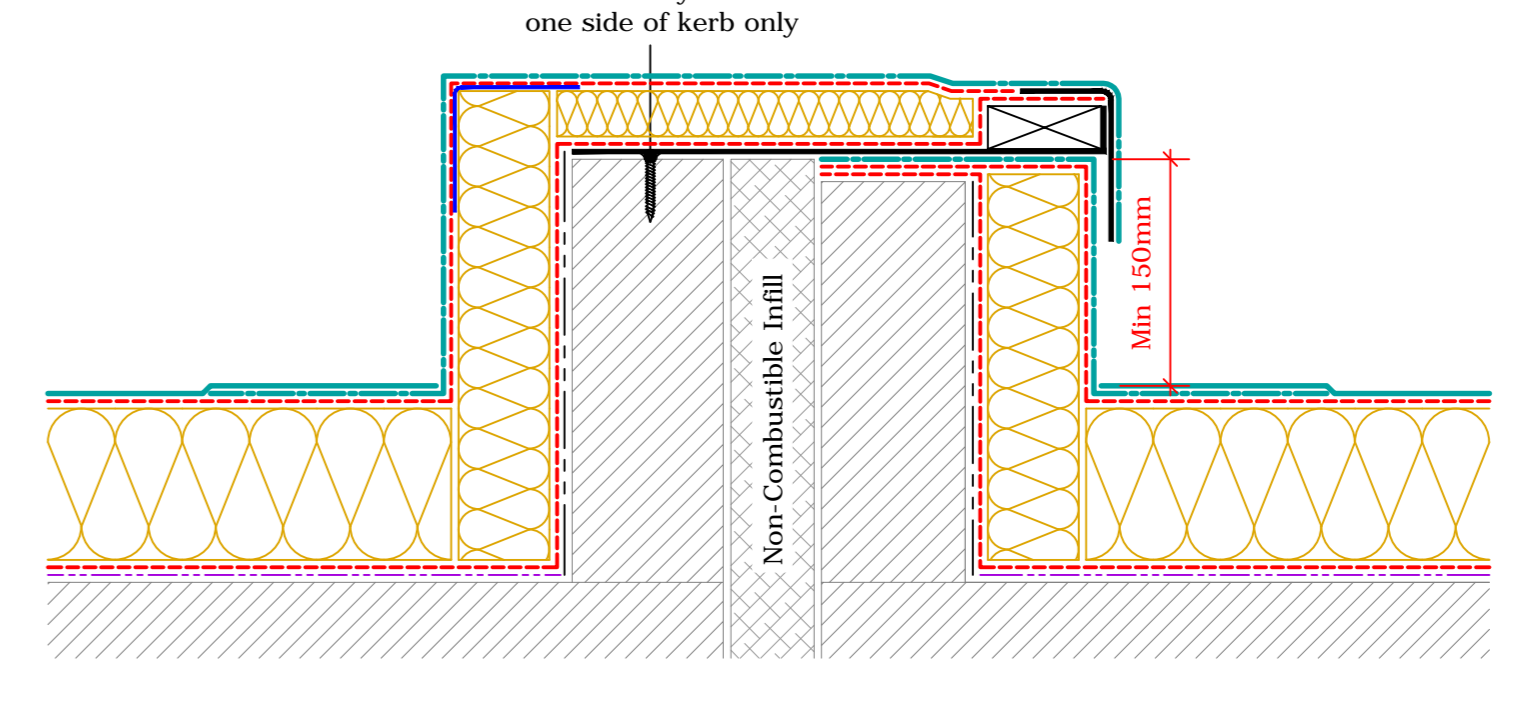
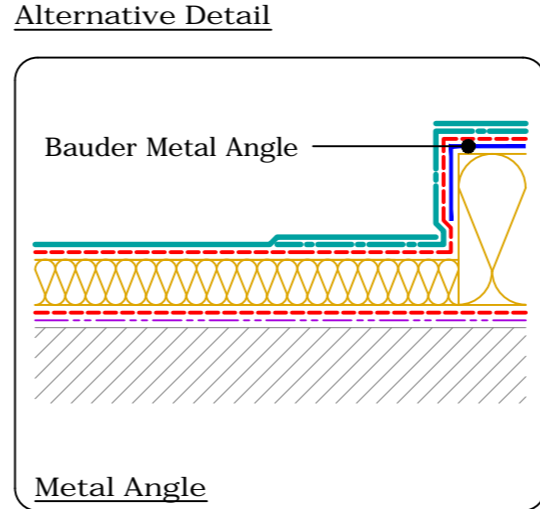
Soil Vent Pipe
(Drg.No: D0705-00W_007-001)



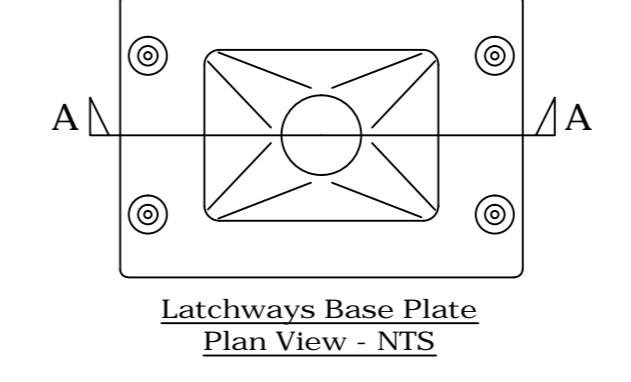
Bauder Outlet - Compact
(Drg.No: D0705-00W_006-001)



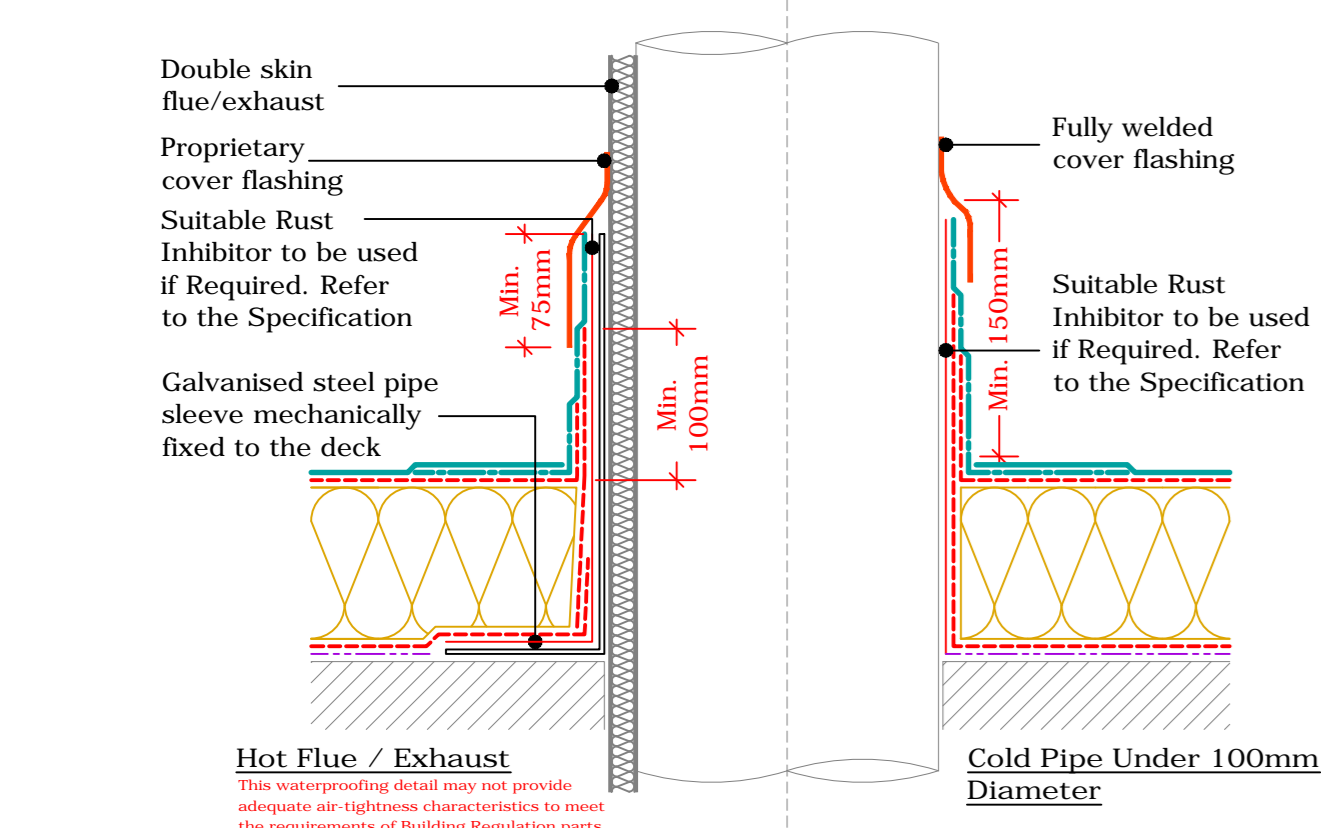
Upstand - Lead Chute
(Drg.No: D0705-00W_206-002)



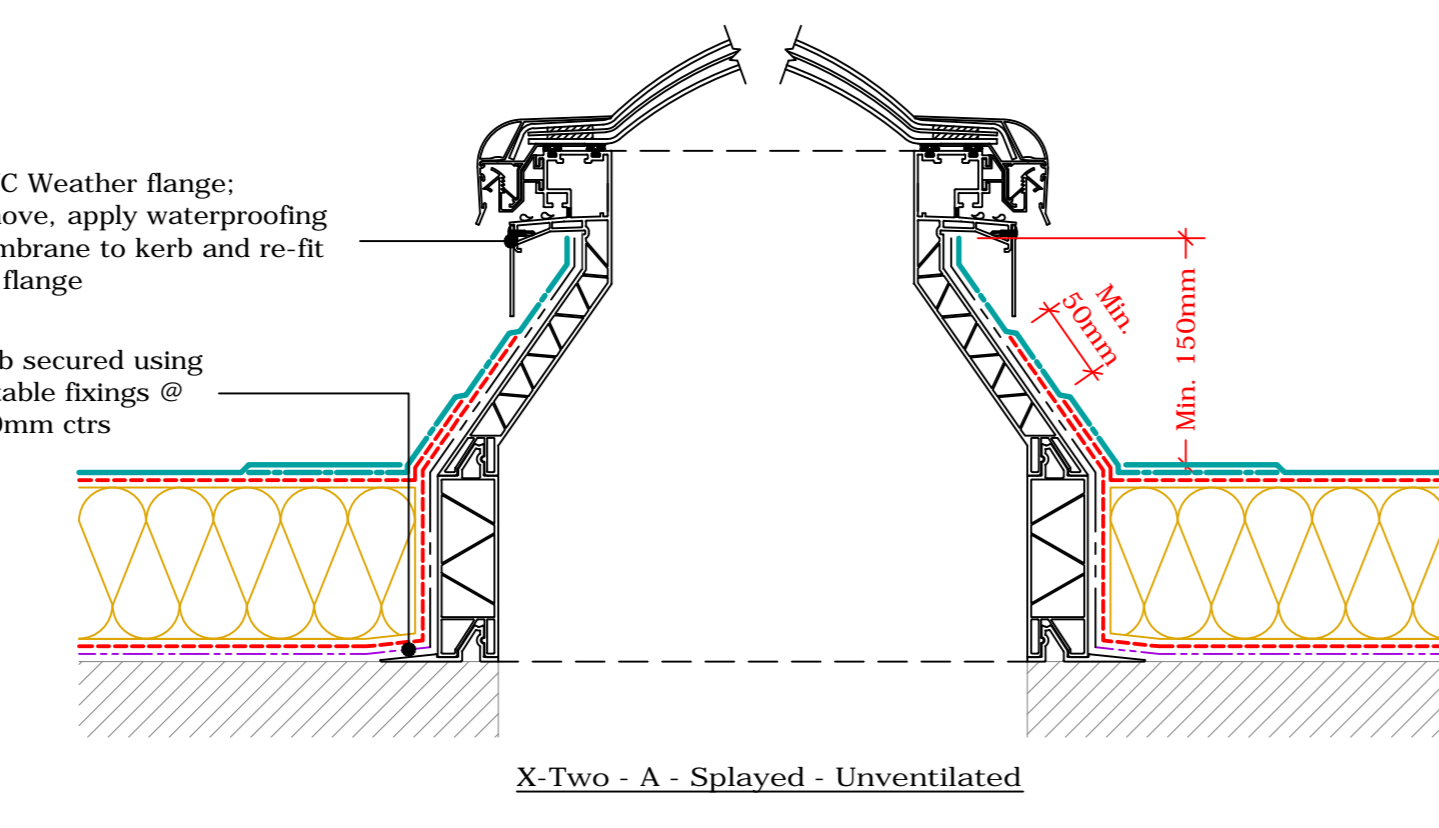
Twin Kerb Expansion Joint
(Drg.No: D0705-00W_204-004)



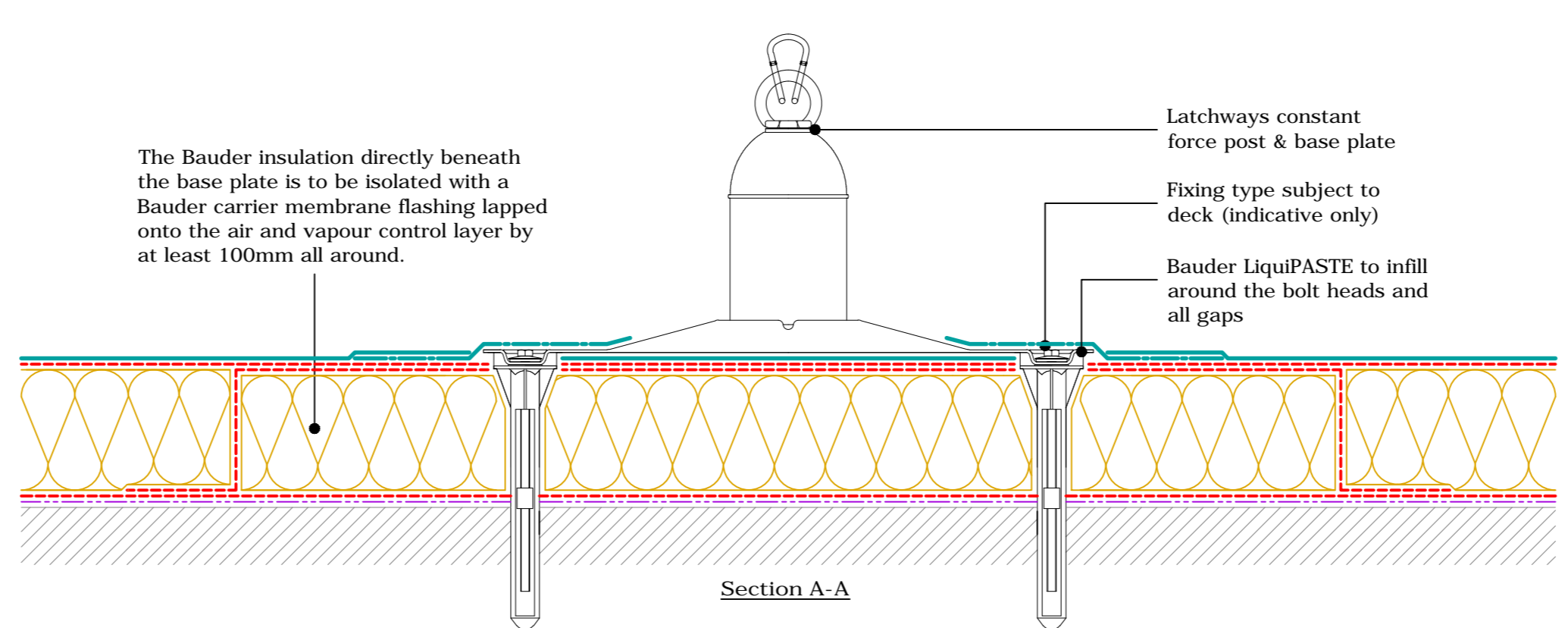
Latchways Base Plate
Plan View - NTS



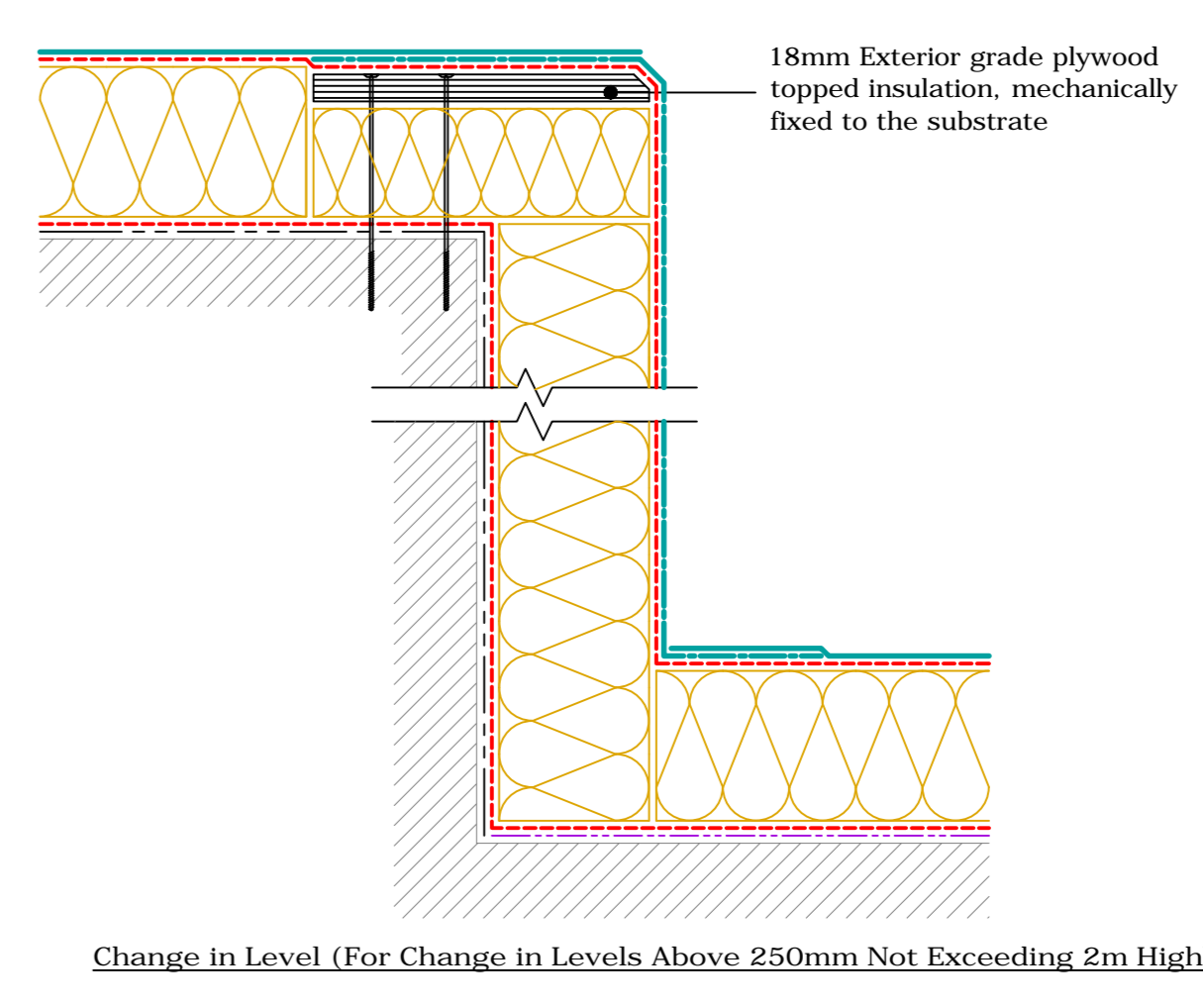
Upstand to Hot Flue OR Cold Pipe
(Drg.No: D0705-00W_007-002)



Upstand to Bauder Rooflight - Euroglaze
(Drg.No: D0705-00W_008-001)



Latchways Constant Force Post
(Drg.No: D0705-00W_209-001)



Change In Levels
(Drg.No: D0705-00W_210-001)

Key	
	Bauder LiquiDEK (Re-sealing 1kg Reinforcement Floor)
	Bauder Air And Vapour Control Layer Or Carrier Membrane
	Bauder Insulation
	Bauder SX Primer (To Main Field Area Only)
	Unknown Deck / Substrate
	Bauder LiquiDETAIL (Re-sealing 1kg Reinforcement Floor)
	Bauder LiquiPRIME (To Upstands Only)
	Bauder LiquiPASTE
	Bauder 100/60 GRP Trim
	Treated Timber
	Bauder insulated upstand support bracket
	Bauder Metal Angle

IMPORTANT NOTES:
 1. This detail is suitable for the following Bauder Systems:
 Bauder LiquiTEC Warm Roof System
 2. This Drawing Shows Alternative Options. For the Correct Solution to be Used, Refer to the Project Specific Specifications.
 3. Do not scale to ascertain dimensions.
 4. All dimensions to be checked and verified on site prior to commencement of work.
 5. This drawing is to be read in conjunction with the specification and associated drawings.
 6. This detail is a guideline only, representing typical detailing conditions and illustrate the correct application of the above Bauder System. It may be necessary to modify this detail to suit specific project design constraints and conditions.
 7. Refer to the Bauder Specification for the product description and method of application. For clarity the method of attachment has not been shown.
 8. Provision should be made by the installer for mechanically fixing the top leading edge of all upstand details in excess of 250mm in height using appropriate fasteners.

BAUDER

UK OFFICE: Bauder Limited, 70 Lonsdale Road, Ipswich, Suffolk, IP1 4DB, England. Tel: +44 (0)1473 257671 Fax: +44 (0)1473 257671 Email: technical@bauder.co.uk

IRELAND OFFICE: Bauder Limited, O'Duffy Centre, Cross Lane, Carrigrohane, Co. Wexford. Tel: +353 (0)42 9662 333 Fax: +353 (0)42 9662 870 Email: technical@bauder.ie

LIQUITEC Roof System (Warm Roof)	
Drawn	001
Issue	1.0
Project	D0705-00W_200_001
Client	00000000
Author	MB
Checked	PH
Approved	MB
Date	17.06.20