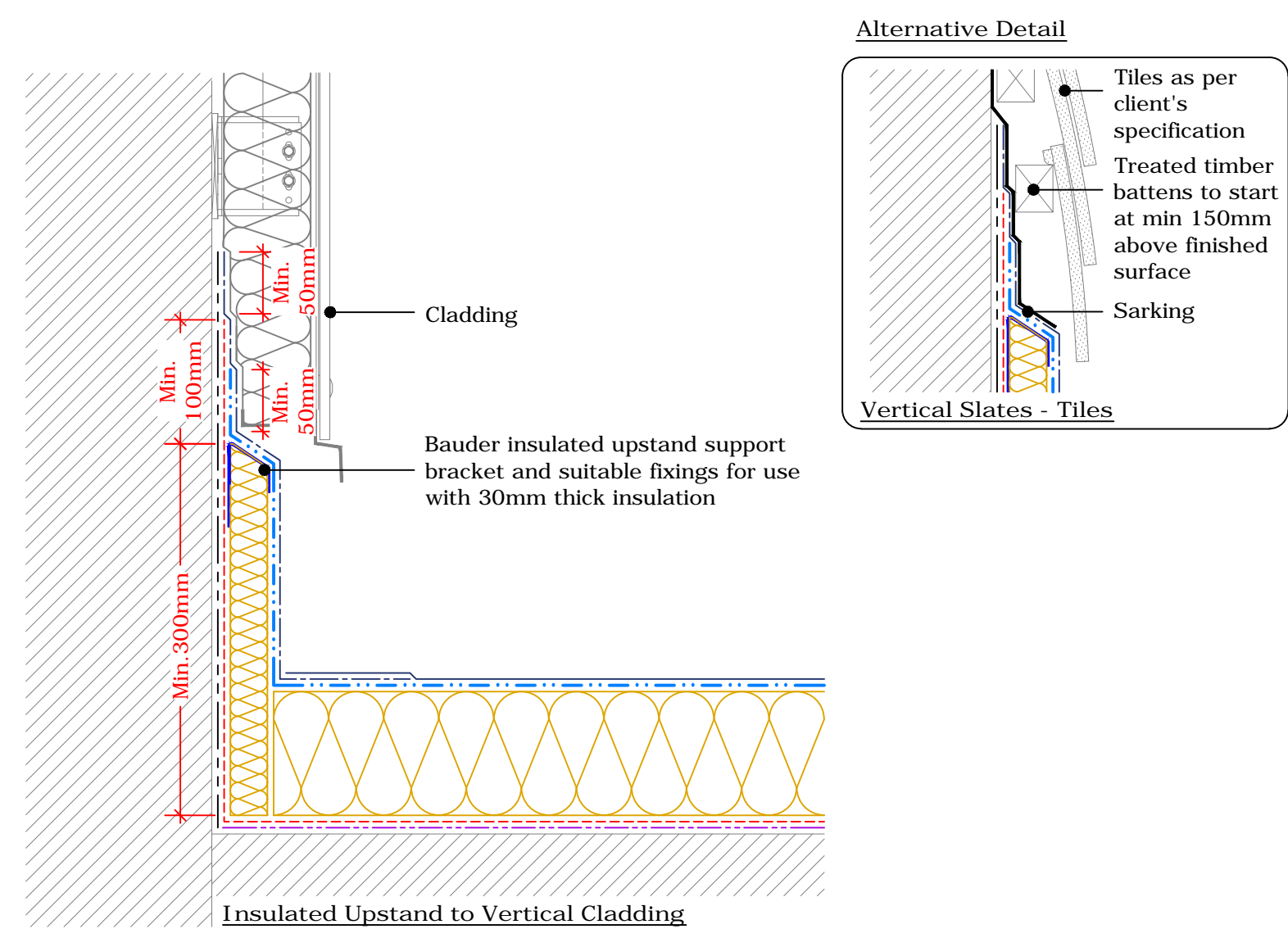
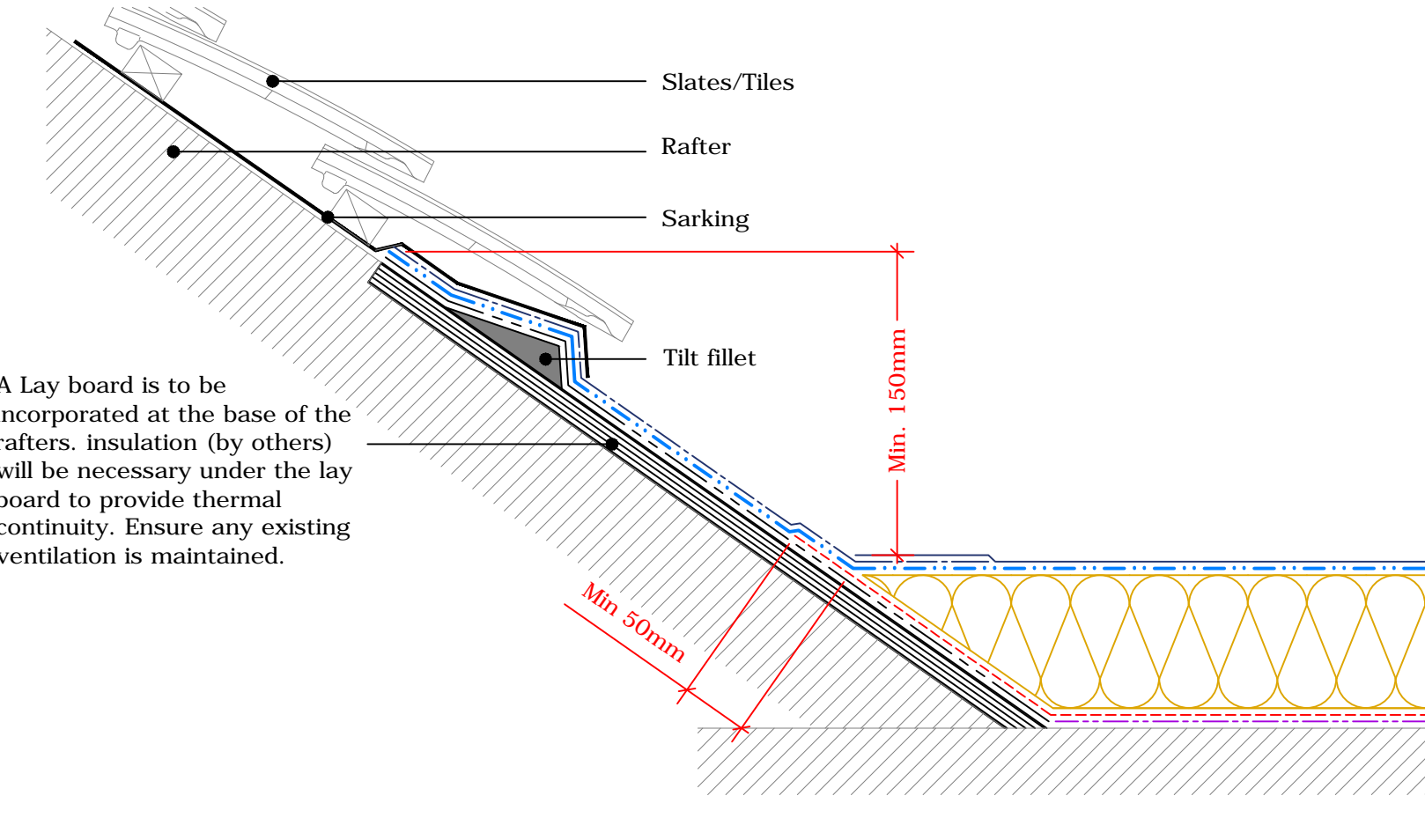


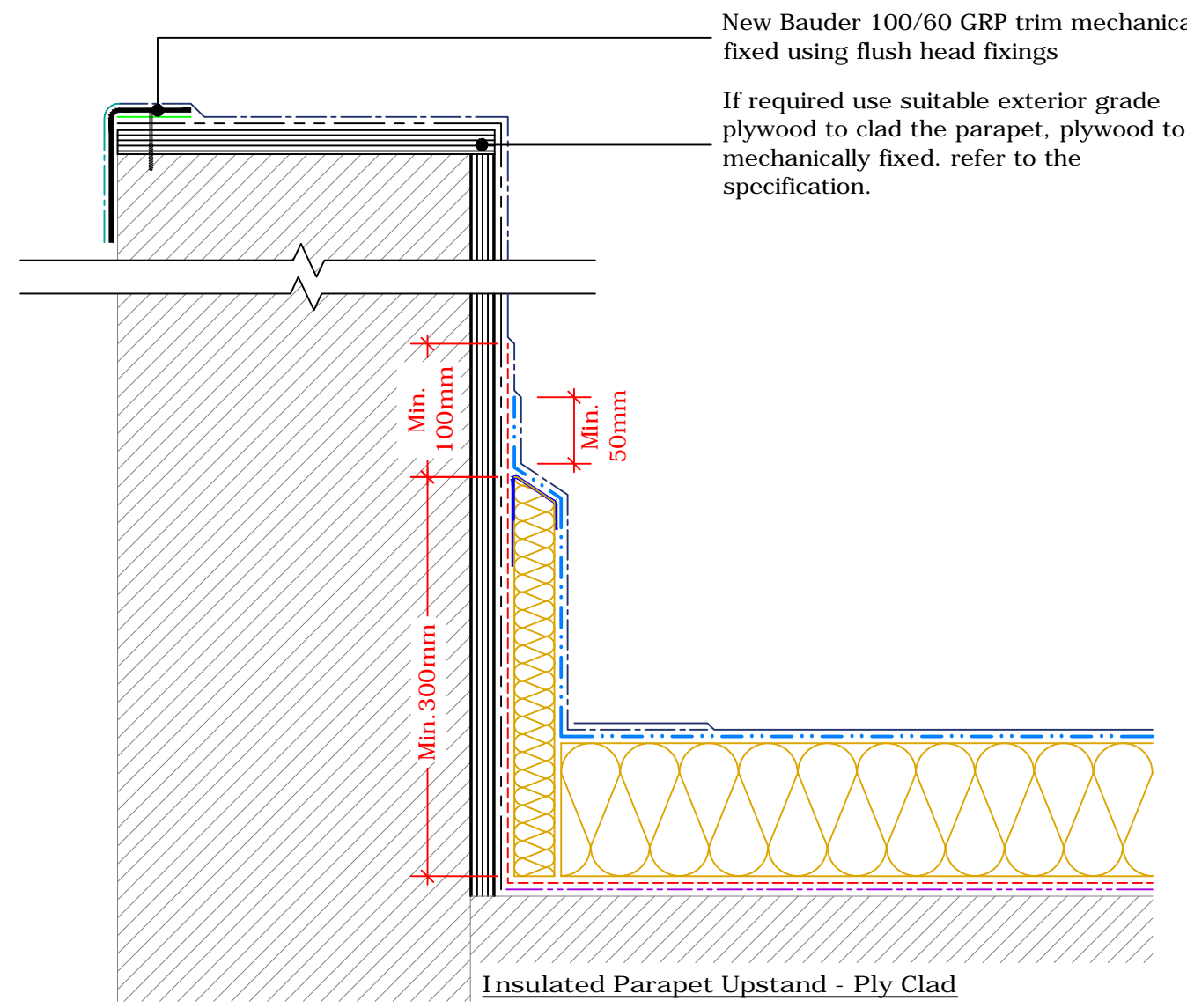
Upstand
(Drg.No: D0807-00W_201-001)



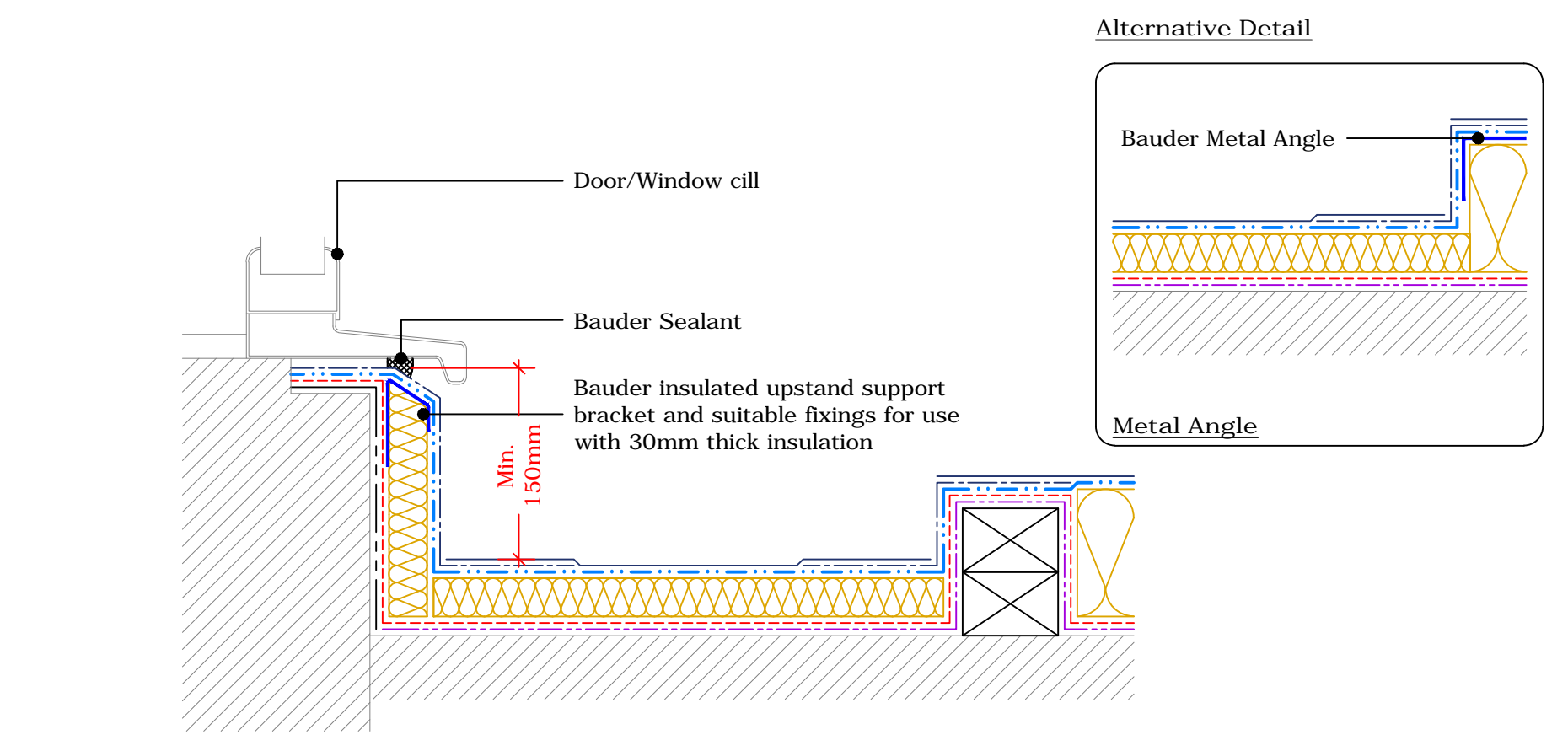
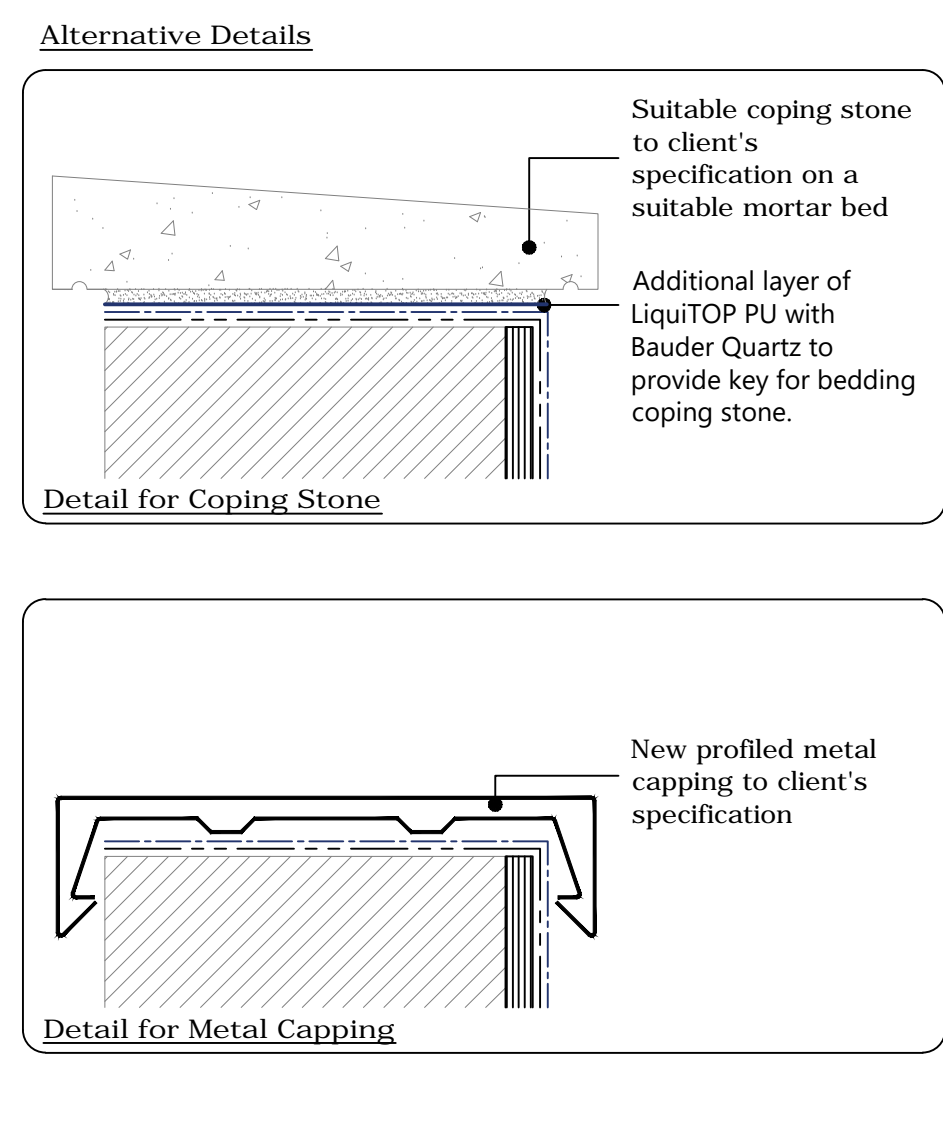
Upstand to Vertical Cladding or Slates/Tiles
(Drg.No: D0807-00W_201-001)



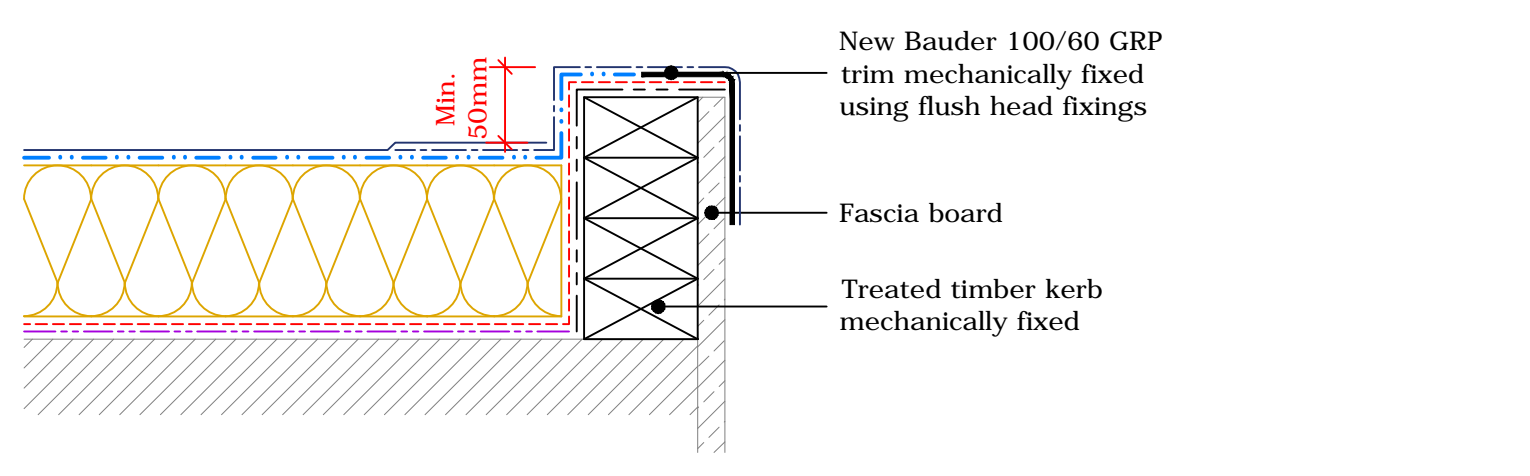
Upstand to Pitched Roof
(Drg.No: D0807-00W_001-004)



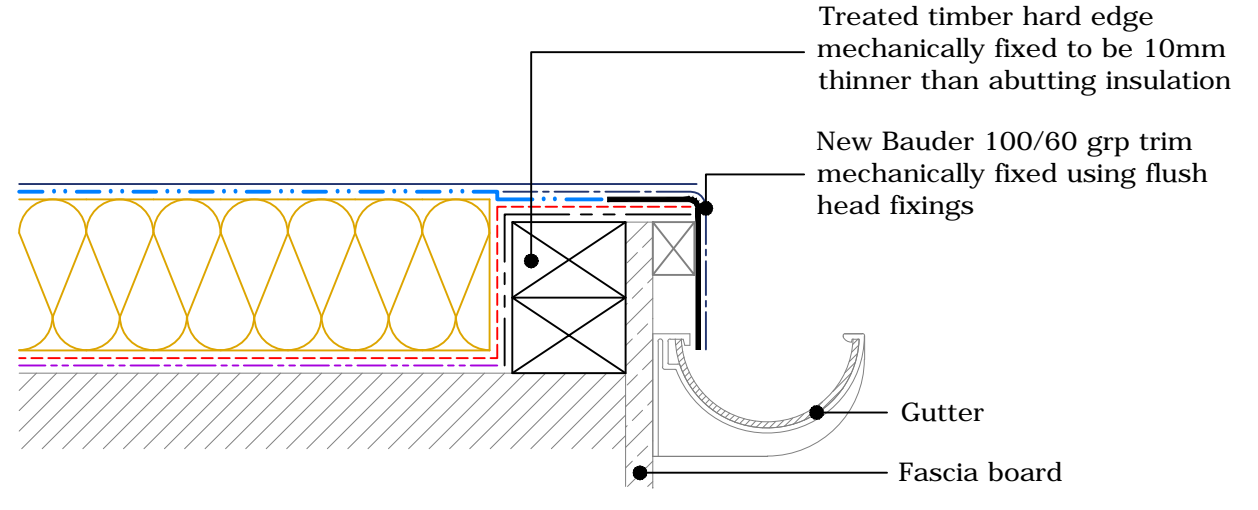
Parapet Upstand
(Drg.No: D0807-00W_203-001)



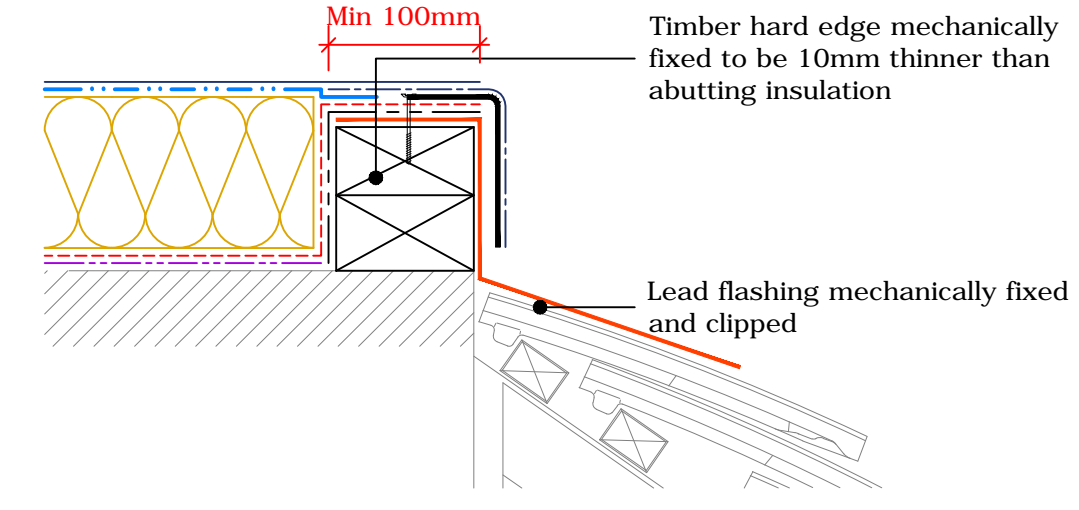
Internal Gutter to Clerestory Window
(Drg.No: D0807-00W_006-004)



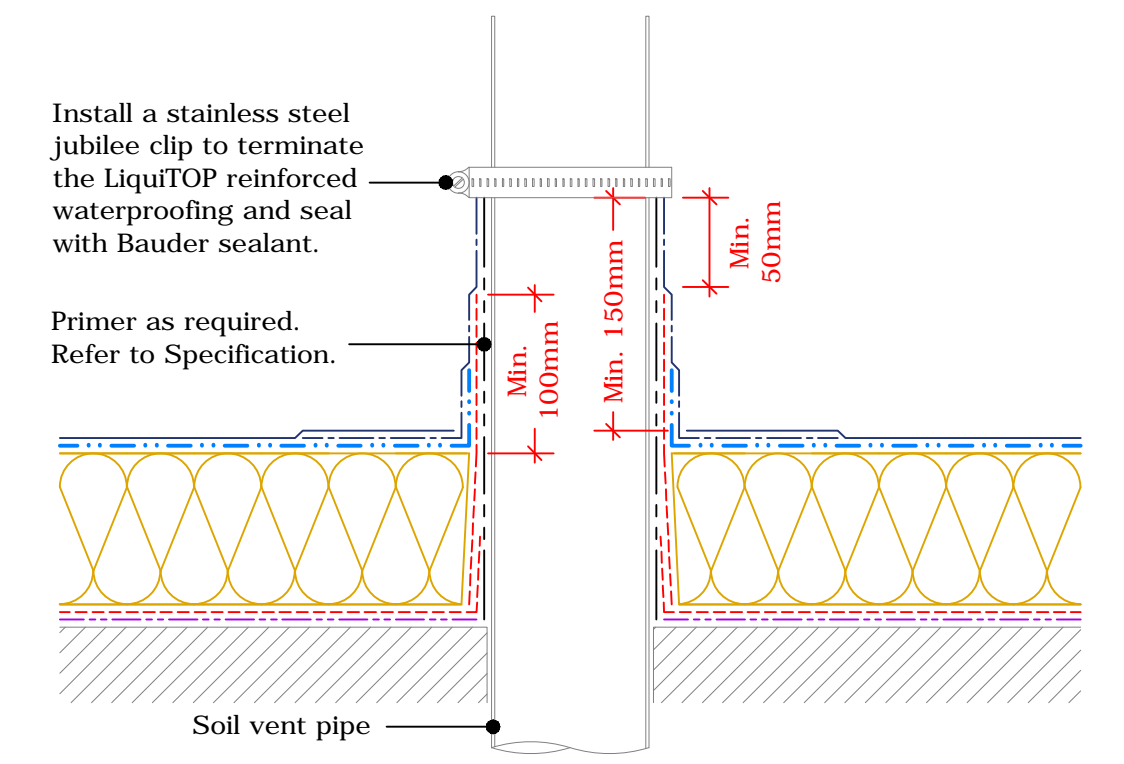
Perimeter Kerb
(Drg.No: D0807-00W_002-001)



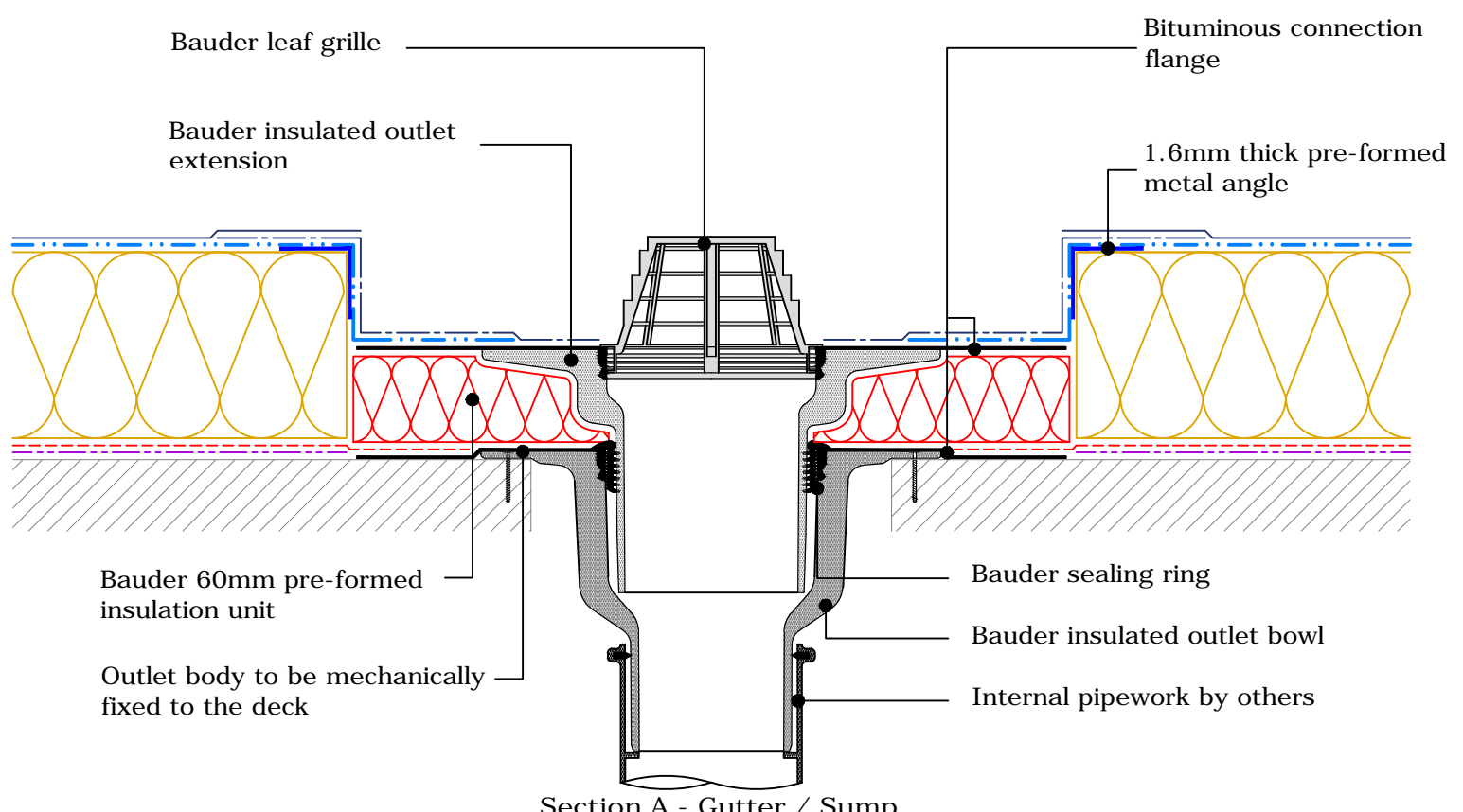
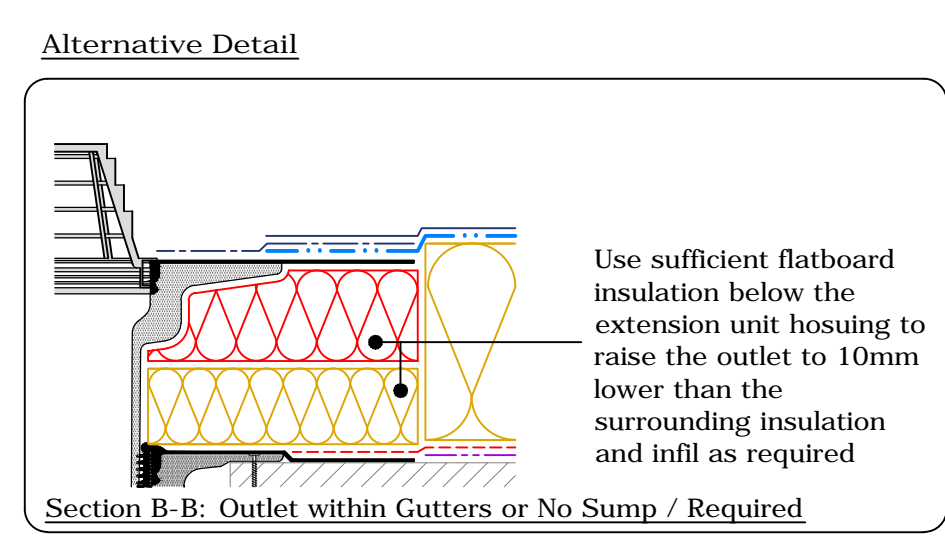
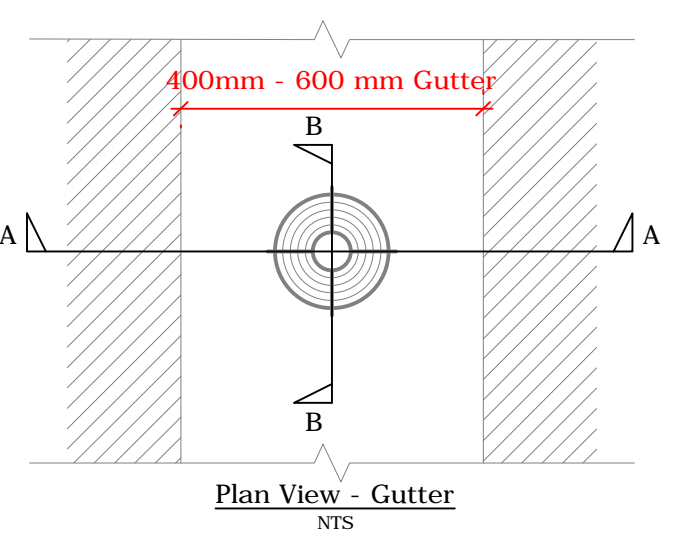
External Gutter
(Drg.No: D0807-00W_006-005)



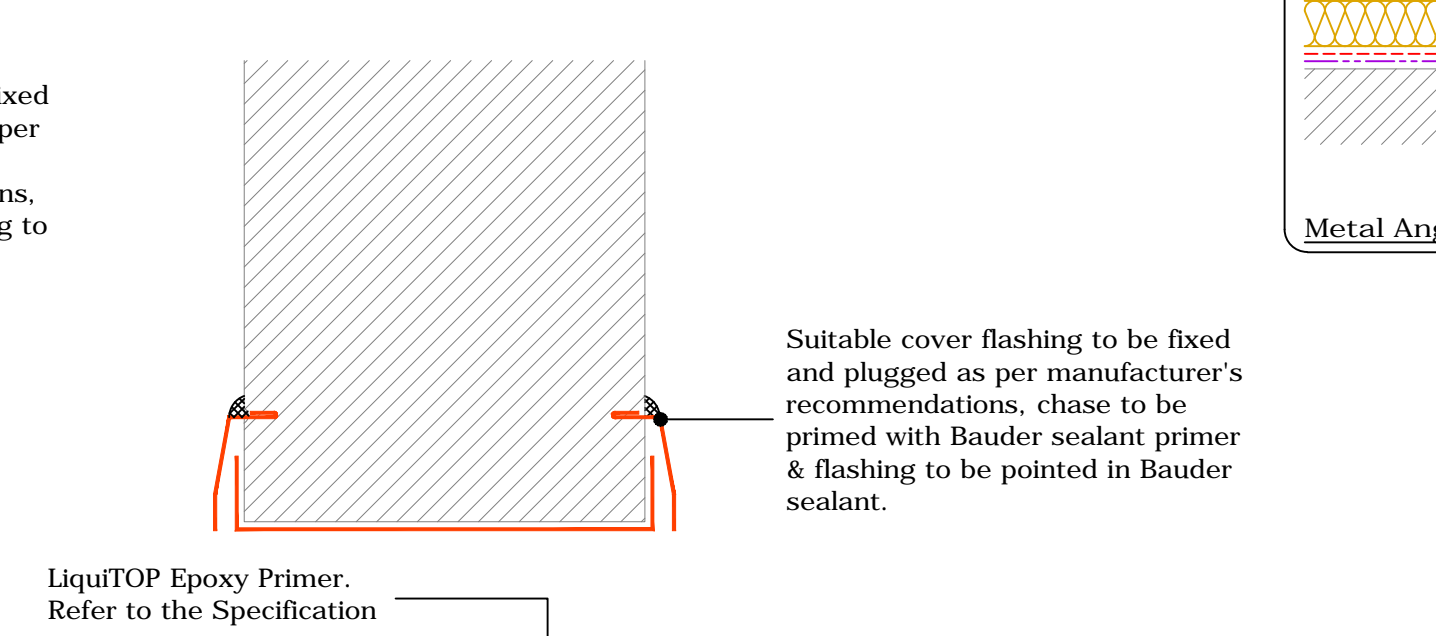
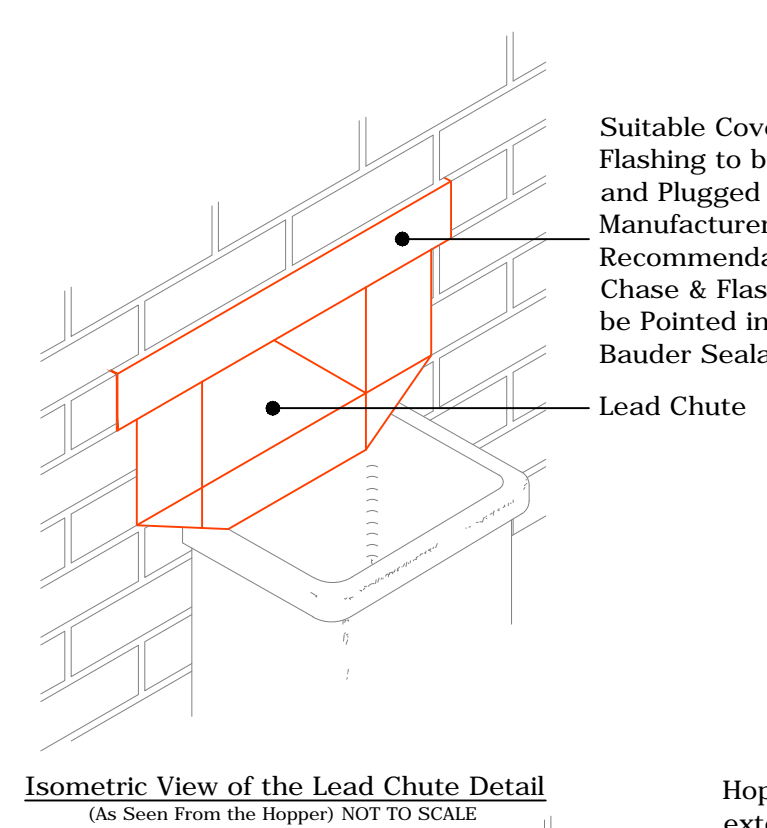
Mansard Roof
(Drg.No: D0807-00W_006-000)



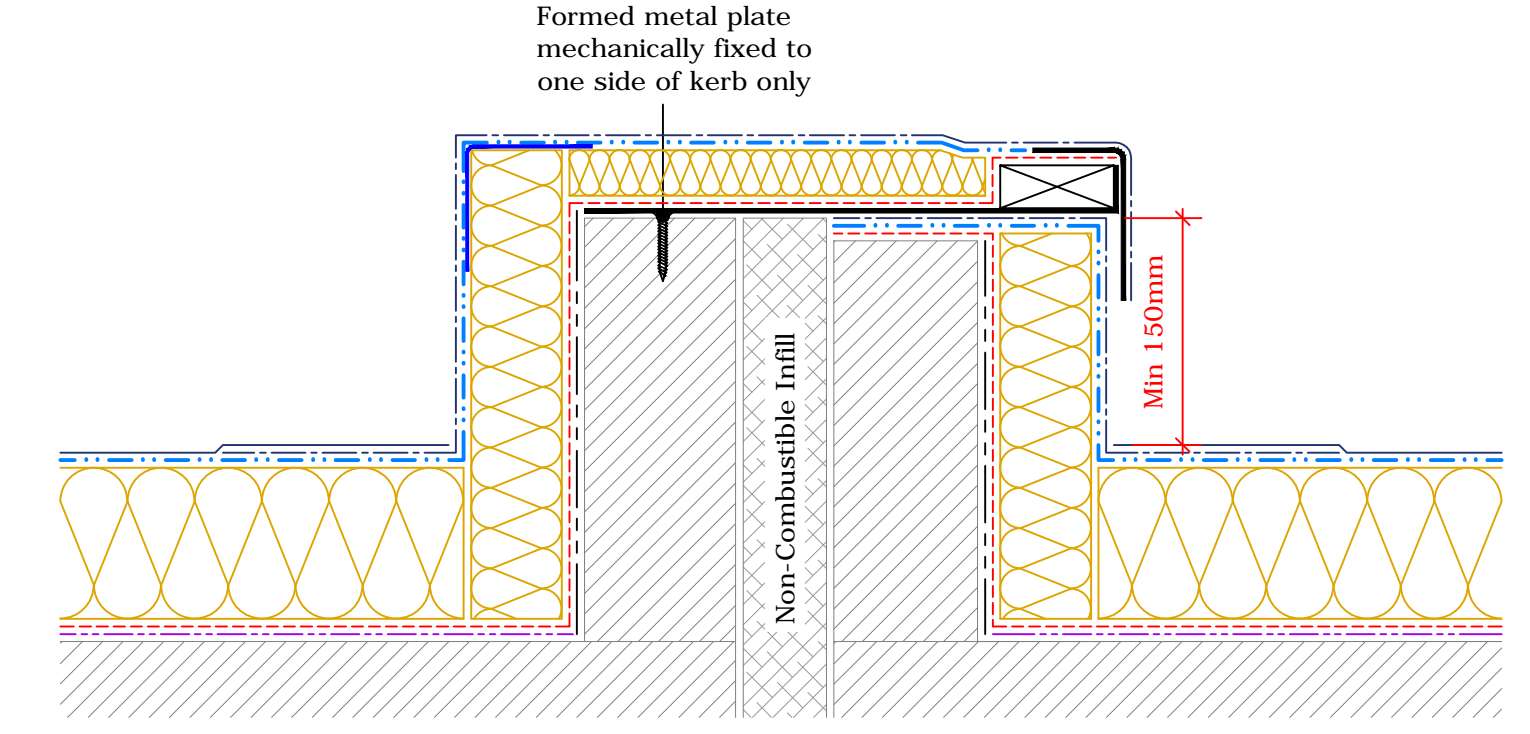
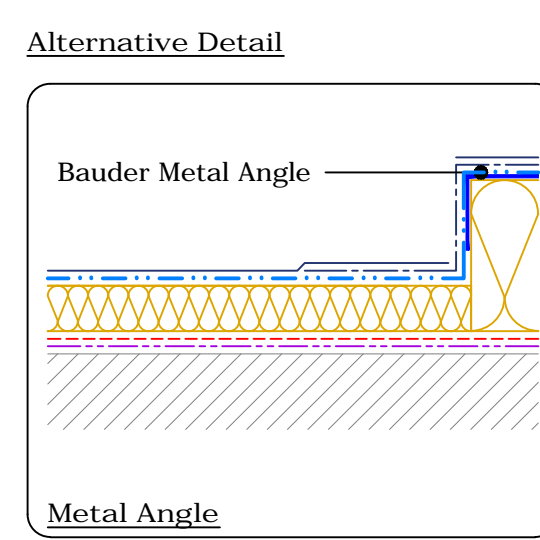
Soil Vent Pipe
(Drg.No: D0807-00W_007-001)



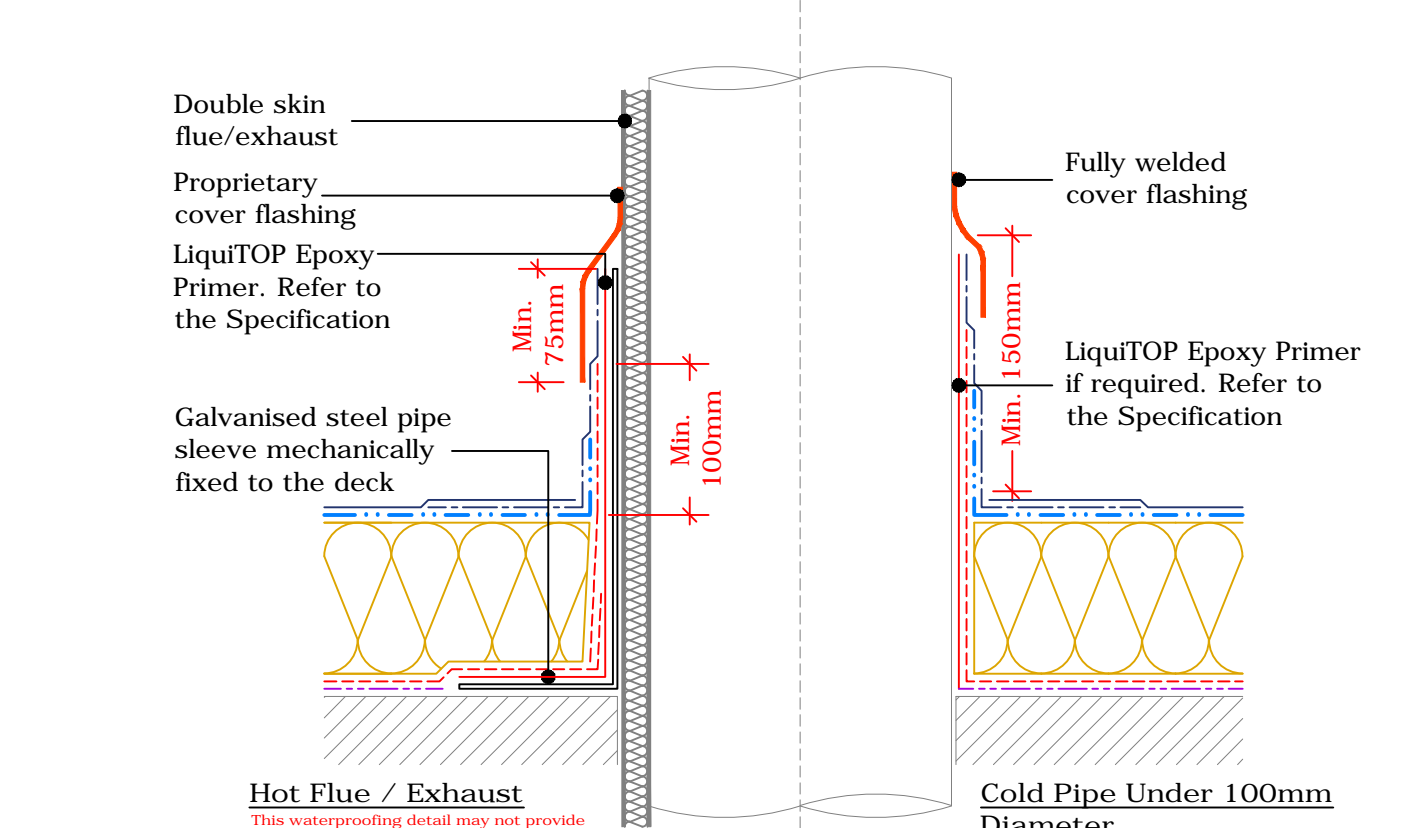
Bauder Outlet - Compact
(Drg.No: D0807-00W_006-001)



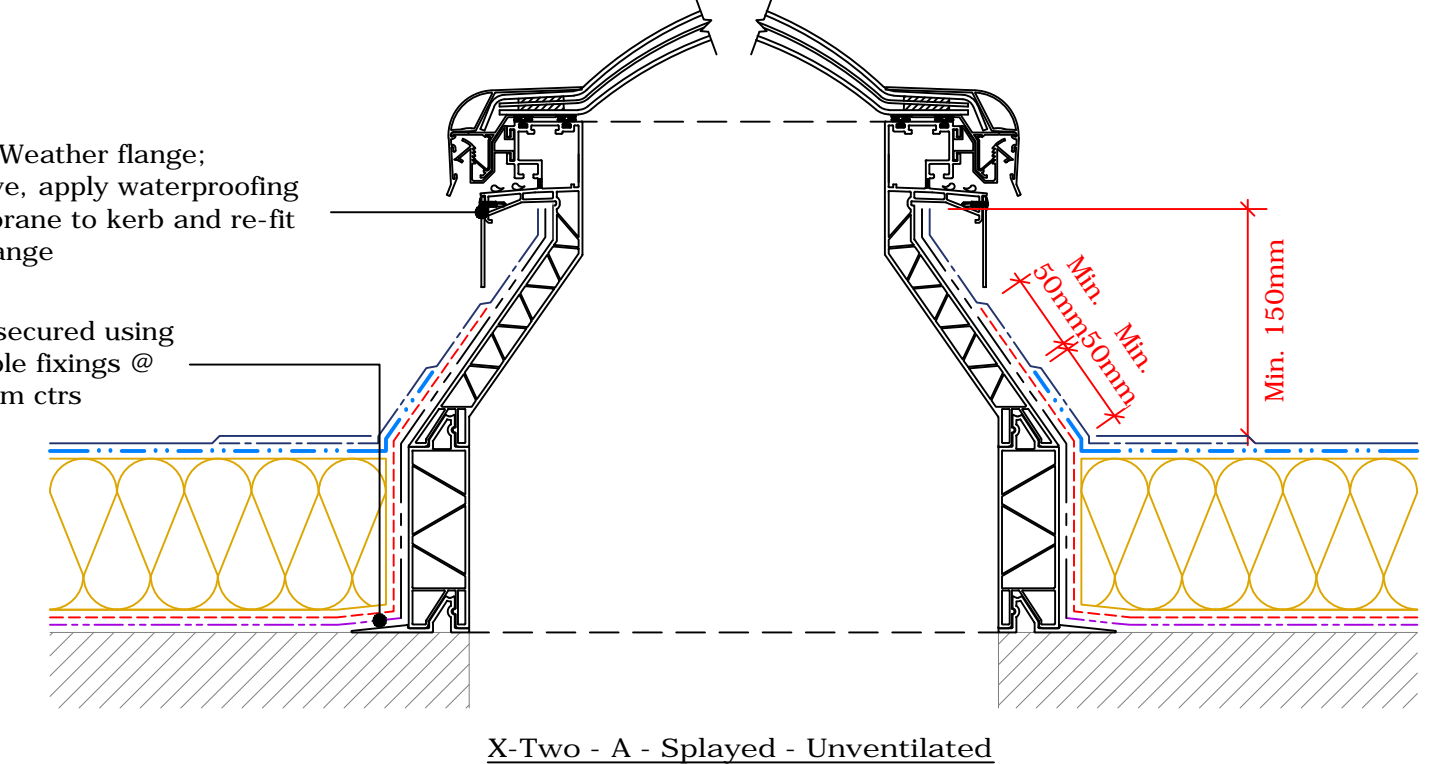
Upstand - Lead Chute
(Drg.No: D0807-00W_006-002)



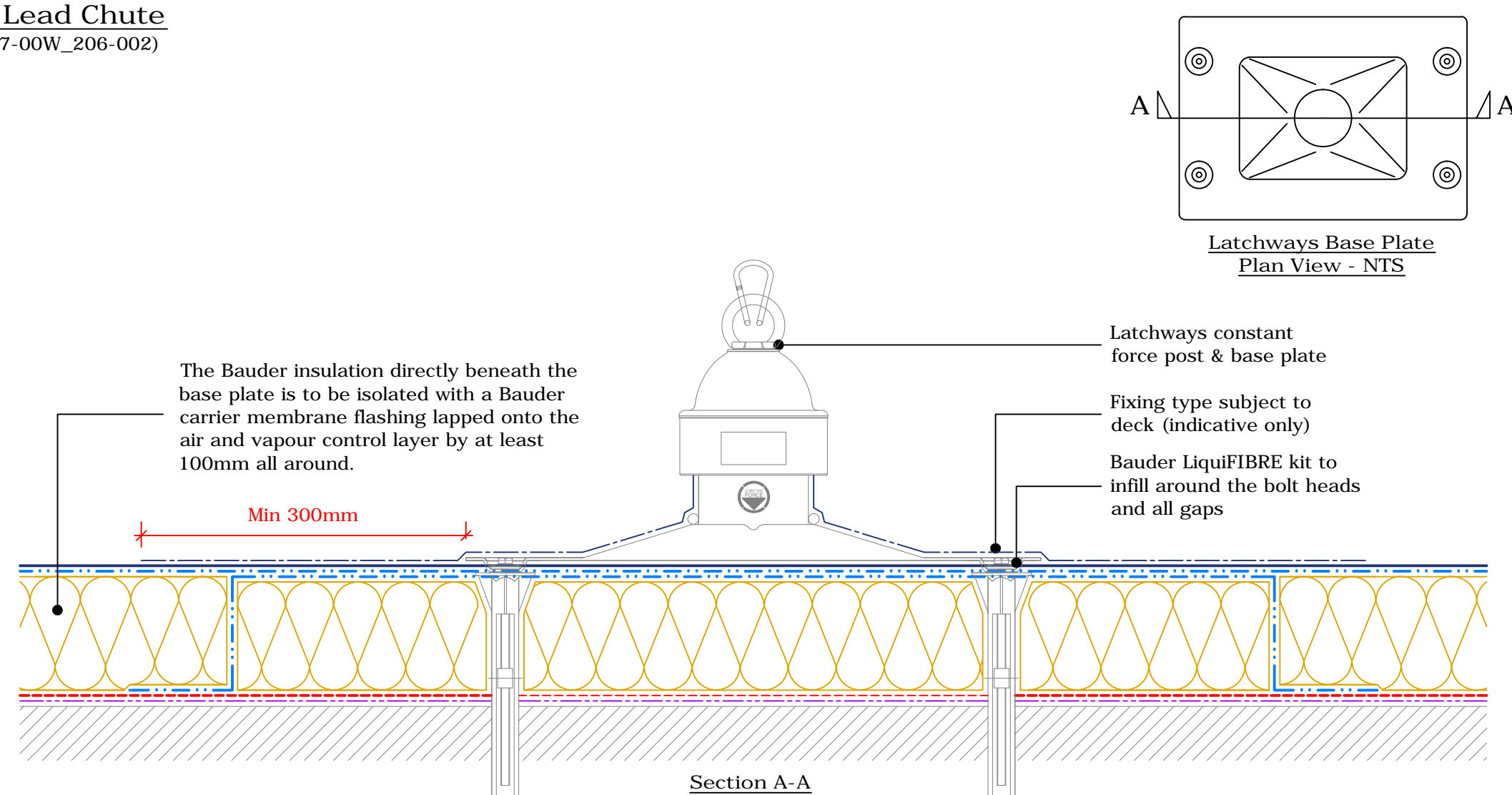
Twin Kerb Expansion Joint
(Drg.No: D0807-00W_204-001)



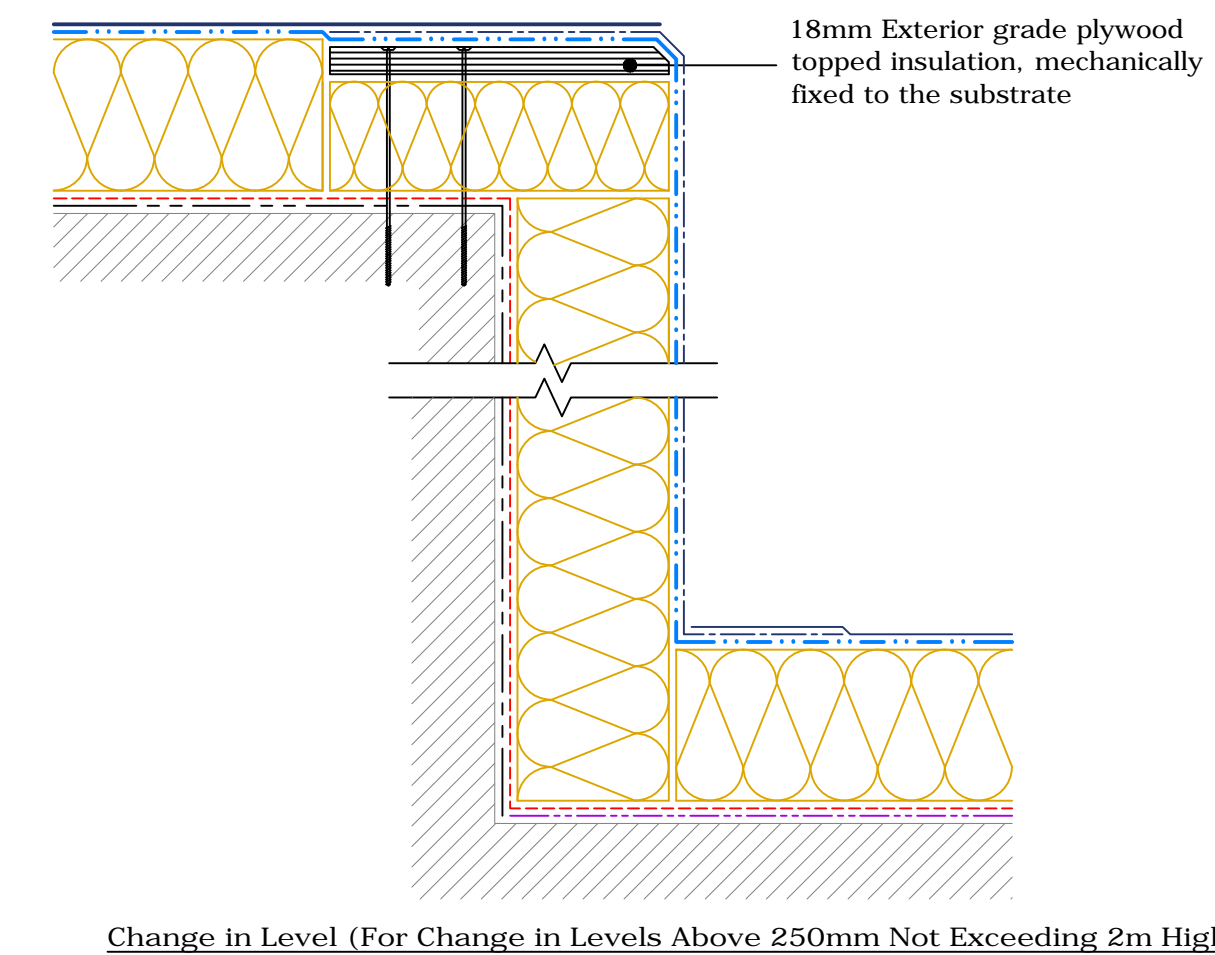
Upstand to Hot Flue OR Cold Pipe
(Drg.No: D0807-00W_007-002)



Upstand to Bauder Rooflight - Euroglaze
(Drg.No: D0807-00W_008-001)



Latchways Constant Force Post
(Drg.No: D0807-00W_009-001)



Change In Levels
(Drg.No: D0807-00W_210-001)

Key

- Bauder LiquiTOP PU (Incorporating LiquiTOP Glass Fibre Mat)
- Bauder LiquiTOP PU (Incorporating LiquiTOP Glass Fibre Mat)
- Bauder Carrier Membrane
- Bauder Air & Vapour Control Layer
- Bauder LiquiTOP Primer (To Upstands Only)
- Bauder Activator Primer (To Main Field Area Only)
- Bauder Insulation
- Bauder 100/60 GRP Trim
- Treated Timber
- Bauder insulated upstand support bracket
- Bauder Metal Angle
- Deck / Substrate

IMPORTANT NOTES:

- This detail is suitable for the following Bauder System: Bauder LiquiTOP Insulated System.
- This Drawing Shows Alternative Options, for the Correct Solution to be Used. Refer to the Project Specific Specifications.
- Do not scale to ascertain dimensions.
- All dimensions to be checked and verified on site prior to commencement of work.
- This drawing is to be read in conjunction with the specification and associated drawings.
- This detail is a guideline only, representing typical detailing conditions and illustrate the correct application of the above Bauder System. It may be necessary to modify this detail to suit specific project design constraints and conditions.
- Refer to the Bauder Specification for the product description and method of application. For clarity the method of attachment has not been shown.



UK OFFICE
Bauder Limited
70 Ladbroke Road, Ipswich,
Suffolk, IP1 0QR,
England,
Tel: +44 (0)1473 237671
Fax: +44 (0)1473 230761
Email: info.uk@bauder.co.uk
bauder.co.uk

IRELAND OFFICE
Bauder Limited
O'Duffy Centre, Cross Lane,
Carrigrohane, Co. Wexingham,
Ireland
Tel: +353 (0)42 8662 333
Fax: +353 (0)42 8662 830
Email: technical@bauder.ie
bauder.ie

LIQUITOP INSULATED SYSTEM - TYPICAL DETAILS (Warm Roof)

Scale	Drawing Number	Revision
1:5	D0807-00W_200_001	
Issue	CD	PH
Drawn By	MB	27.08.20