

TECHNICAL DATA SHEET

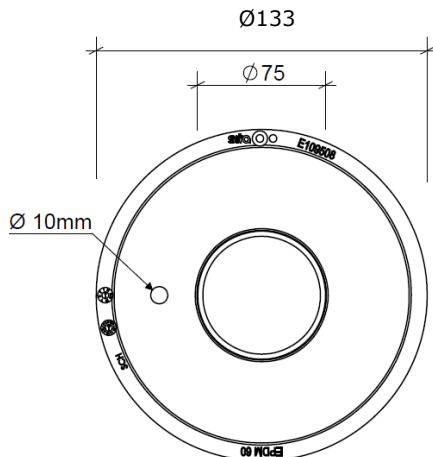
BauderBLUE SR-HM blue roof flow restrictor - bitumen

The SR-HM blue roof flow restrictor is designed to be used in conjunction with a standard Bauder hot melt blue roof vertical outlet DN70. The Flow Restrictor is comprised of four parts; baseplate, overflow pipe, baseplate inner and baseplate outer seal. The polyamide baseplate fits within the 70mm vertical outlet, with the EPDM outer seal creating a watertight fit. The HDPE overflow slots into the central hole of the baseplate with an inner EPDM seal preventing any leaks.

Baseplate has a number (0-12) of 10mm restrictive flow holes bespoke to the project.

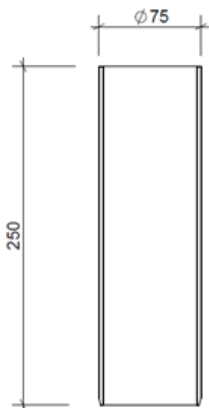


Baseplate



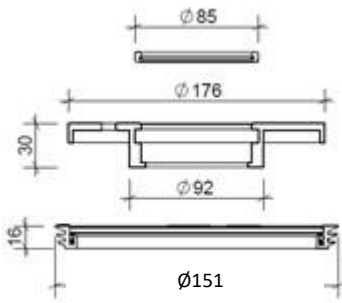
PRODUCT INFORMATION AND TECHNICAL PERFORMANCE		
Characteristic	Unit	Baseplate
Material		Polyamide
Height	mm	30
Diameter	mm	133
Overflow Aperture	mm	85
Supply Form		As part of a 4-part set
Note: this product requires additional products to complete the system		

Overflow Pipe



PRODUCT INFORMATION AND TECHNICAL PERFORMANCE		
Characteristic	Unit	Overflow Pipe
Material		HDPE
Height	mm	250 max (cut down to H-Max)
Diameter	mm	75
Supply Form		As part of a 4-part set
Note: this product requires additional products to complete the system		

Baseplate Inner Seal and Baseplate Outer Seal

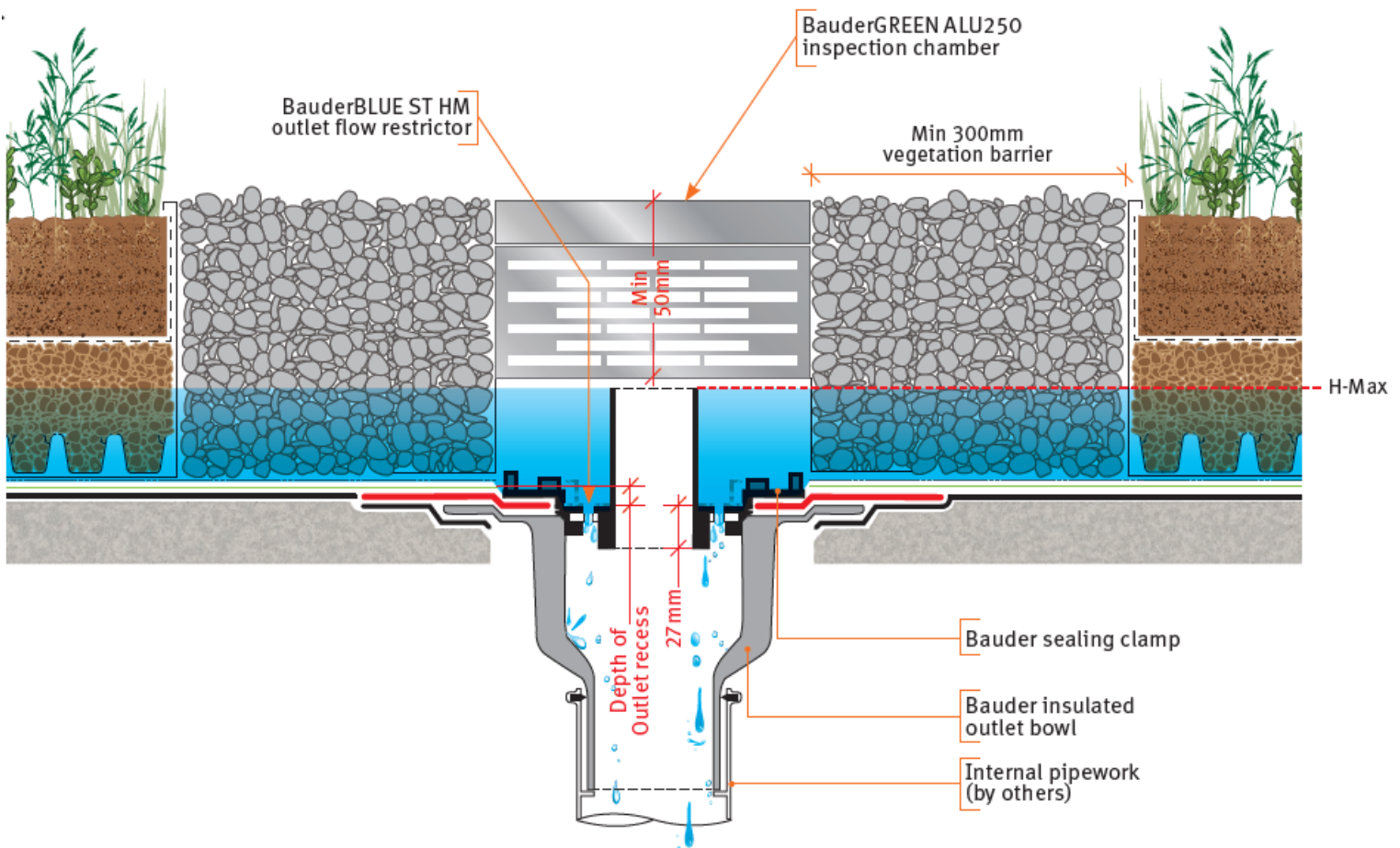


PRODUCT INFORMATION AND TECHNICAL PERFORMANCE		
Characteristic	Unit	Inner & Outer Seal
Material		EPDM
Diameter	mm	85 (inner seal) 151 (outer seal)
Supply Form		As part of a 4-part set
Note: this product requires additional products to complete the system		

MAIN CHARACTERISTICS

- Robust, low maintenance design
- Overflow pipe is a bespoke length to individual project
- UV/IR radiation resistant
- Number of 10mm restrictive flow holes is unique to the project and designated discharge for that particular roof/site.
- Follows the CIRIA and NFRC blue roof guidance documents for the Construction and Design of Blue Roofs.

SECTION DETAIL



UNITED KINGDOM
Bauder Ltd
 70 Landseer Road
 Ipswich Suffolk England IP3 0DH
T: +44 (0)1473 257671 **E:** info@bauder.co.uk
bauder.co.uk

IRELAND
Bauder Ltd
 O'Duffy Centre Cross Lane Carrickmacross
 Co. Monaghan Ireland
T: +353 (0)42 9692 333 **E:** info@bauder.ie
bauder.ie

BLUE ROOF SURFACE FINISHES

Blue Roofs should have a surface finish above the water attenuation layers, this surface finish can be constructed from any suitable permeable surface, to provide visual masking, protection of the system, filtration of airborne debris to prevent blockages and ballasting preventing wind uplift and flotation of the components. An impermeable surface can be used but adequate measures should be taken to ensure the water can filter into the Blue Roof attenuation void.

BLUE ROOF DESIGN GUIDANCE

- A Blue Roof should not be considered as a water storage solution.
- No British or European standard covers this type of application at the present time.
- The Blue Roof must be designed to attenuate the predicted rainfall volume required to prevent ponding or flooding on the roof surface. The surfacing should drain by direct permeability or drainage channels linking into the Blue Roof system.
- Emergency drainage must be provided within the primary outlet or by a secondary method of drainage to facilitate the removal of excess rainfall if the designed capacity is exceeded, this should be placed at the top of the water attenuation layer.
- The Blue Roof, void forming components, thermal insulation and waterproofing must have the correct structural capacity to resist the permanent (dead) load of the required finishes and any temporary (live) loading produced by maintenance/emergency vehicles or other elements. The components should be designed to accommodate the full capacity of the predicted storm water for a 24-hour period.
- All components must have chemical resistance to all potential hazardous material e.g. Fertilisers, petrochemicals and water bound pollutants carried in by rainfall typically from 4-9PH.
- An electronic or suitable integrity test should take place, by an independent and competent person, on the completed waterproofing prior to the installation of any Blue Roof void forming or landscaping components. The satisfactory waterproofing integrity certification must be retained.

BLUE ROOF MAINTENANCE GUIDANCE

When maintaining a blue roof, the following considerations should apply: -

Regularly clear all debris from the roof surface, rainwater outlets, chutes, gutters etc. Debris must be removed from the roof and not simply flushed down rainwater pipes.

Annually inspect the waterproofing system visible at all upstands, to ensure it is firmly adhered to the detail that it is waterproofing.

Cut back tree limbs that overhang the roof to give a 1 metre clearance outside the roof edge. This will significantly reduce blockage of drainage ways due to fallen leaves.

Ensure that all rainwater pipes are free from blockages and that water flows freely through them.

Bauder reserves the right to amend information and product specifications without prior notice. All reasonable care has been taken to ensure that all data is current at the time of print, however because Bauder pursues a policy of constant development we recommend ensuring that your copy of this information is current by contacting our Technical Department at technical@bauder.co.uk

Recommendations for use should be verified as to the suitability and compliance with actual requirements, specifications, installation techniques and any applicable laws and regulations.

UNITED KINGDOM

Bauder Ltd

70 Landseer Road
Ipswich Suffolk England IP3 0DH

T: +44 (0)1473 257671 **E:** info@bauder.co.uk

bauder.co.uk

IRELAND

Bauder Ltd

O'Duffy Centre Cross Lane Carrickmacross
Co. Monaghan Ireland

T: +353 (0)42 9692 333 **E:** info@bauder.ie

bauder.ie