

## Bauder GRP Trim & GRP Watercheck Trim

V4 17.11.2022

### Product description

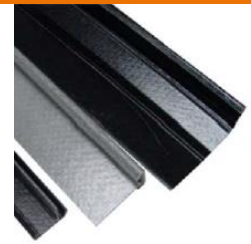
Bauder GRP Trim & Bauder GRP Watercheck Trim are made from glass reinforced plastic. GRP has a far lower coefficient of thermal expansion than aluminum or steel meaning less movement at the joints, along with a higher strength to weight ratio.

### Application fields

Bauder GRP trims are to be used at roof edges in conjunction with Bauder bituminous roof systems. The GRP trim is available in a colour choice of black or grey and a range of profiles to suit the requirements of most projects. The GRP Watercheck Trim is only available in black and one profile size. The Watercheck Trim can also be used with Liquid applied membranes.

### Article Number

GB60011--- (GRP Trim – last three digits vary)  
GB60012100 (GRP Watercheck Trim)



### PRODUCT INFORMATION – Internal jointing sleeves and 90° pre-formed angles are also available

GRP Trim Product Range	Face Depth (mm)	Fixing Arm (mm)	Length (m)	Thickness (mm)	Colour
Type 1	44	50	2.5	2.5	Black
Type 2	44	90	2.5	2.5	Black
Type 3	70	65	2.5	2.5	Black
Type 4*	100	65	2.5	2.5	Black or Grey
Type 6**	150	75	2.5	2.5	Black or Grey
GRP Watercheck Trim	Face Depth (mm)	Fixing Arm (mm)	Length (m)	Thickness (mm)	Colour
Watercheck Trim***	80	65	3	2.5	Black

\*For roofs higher than 10 metres in height, the Type 4 trim will require 3 additional fixings per length of trim. The fixings are to be face fixed with screws and positioned 50mm down from the top edge, one fixing 100mm in from each end and one in the centre and capped with coloured matched plastic weathering caps. A fixed timber packer will be required behind the face of the trim to help facilitate ease of fixing.

\*\*Type 6 trim will require 3 additional fixings per length of trim. The fixings are to be face fixed with screws and positioned 75mm down from the top edge, one fixing 100mm in from each end and one in the centre and capped with coloured matched plastic weathering caps. A fixed timber packer will be required behind the face of the trim to help facilitate ease of fixing.

\*\*\*Bauder GRP Water Check Trim to be used on parapets and perimeter kerbs wider than 200mm – must not be used on its own as a check kerb.

The Bauder GRP Water Check Trim can also be used for Bauder Cold Liquid Applied Roof Systems.

**Important Note: Where the top of the parapet is installed flat or has no inward fall, we would suggest using the GRP Watercheck Trim to avoid any standing water being blown over the trim and staining the brickwork.**

### Storage guidance

The product should be stored in dry premises, protected against weathering, and must not be exposed to temperatures exceeding 35°C.

### Packaging material

All products are wrapped in polythene (readily recyclable) for short term protection.

### Handling/PPE

All persons using the product should be fully aware of the manual handling methods as roofing materials are heavy and can cause serious injury. When using the product, installers should be provided with, and wear, suitable personal protective equipment.

### Disposal guidance

Disposing of any waste material must be carried out in accordance with national regulations.

Recommended EWC waste codes:

17 09 04 mixed construction and demolition wastes other than those mentioned in 17 09 01, 17 09 02 and 17 09 03.

### Further information/ documents

Current documents such as brochures, installation guides, etc. can be found by visiting

[www.bauder.co.uk](http://www.bauder.co.uk)

### International Standards Organisation (ISO)

#### ISO 9001:2015 Quality Management

Certificates EN1271 (UK)

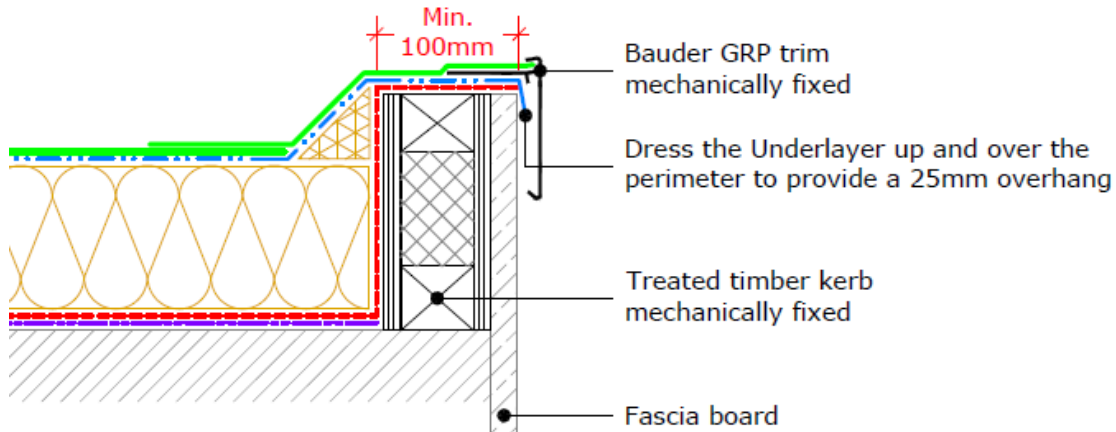
#### ISO 14001:2015 Environmental Management Certificates

A10552 (UK)

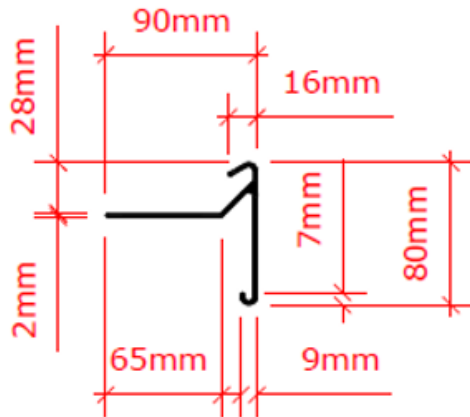
# Technical data sheet

## Installation Guidance:

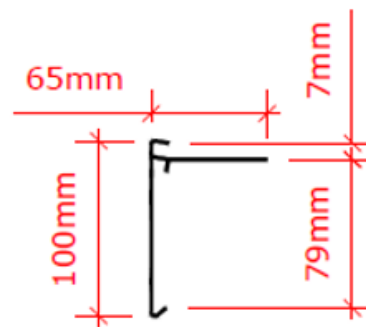
Refer to the Bauder Installation Guide and project specification for guidance.



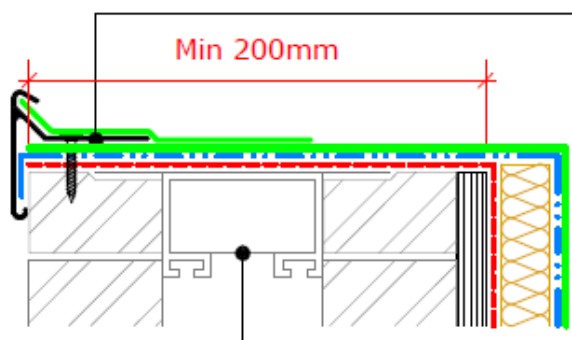
## GRP Water Check Trim Dimensions



## GRP Trim Type 4 Dimensions



Bauder GRP water check trim to be used on parapets and perimeter kerbs wider than 200mm - must not be used on its own as a check kerb as it only has an upstand of 28mm.



Suitable cavity closure as per clients specification

Safety Data Sheets are designed to provide the necessary information to recipients of substances and mixtures in the EU & UK. This product is classed as an article; therefore, this product does not have a requirement for a Safety Data Sheet.