








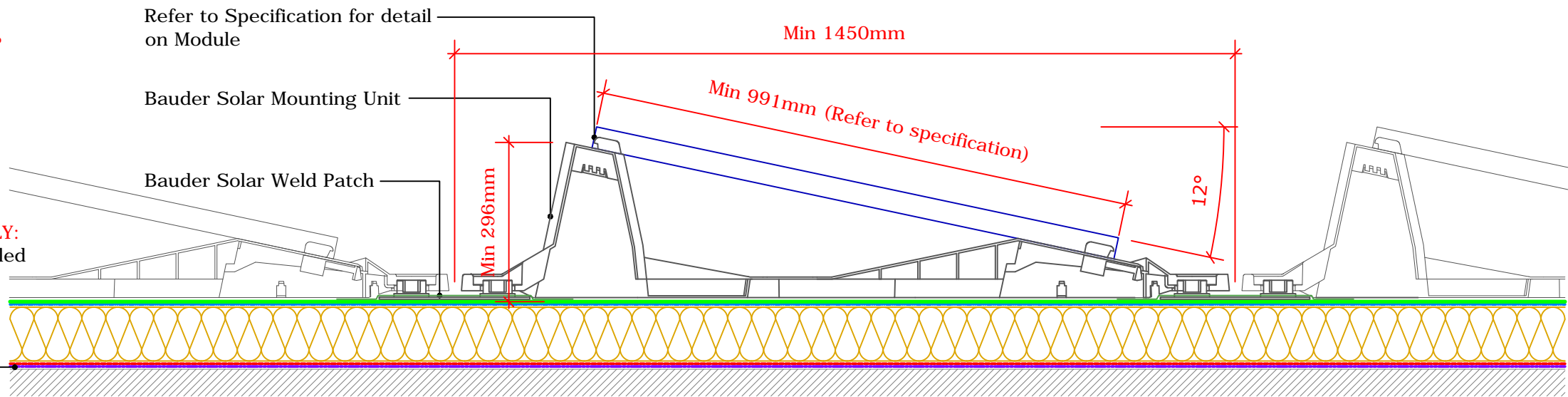
**Key**

-  Bauder Solar Weld Patch
-  Bauder Capping Sheet
-  Bauder Underlayer
-  Bauder Insulation
-  Bauder Vapour Control Layer
-  Bauder Random Nailed Layer used on **TIMBER BOARDED DECKS ONLY**
-  Unknown Deck / Substrate

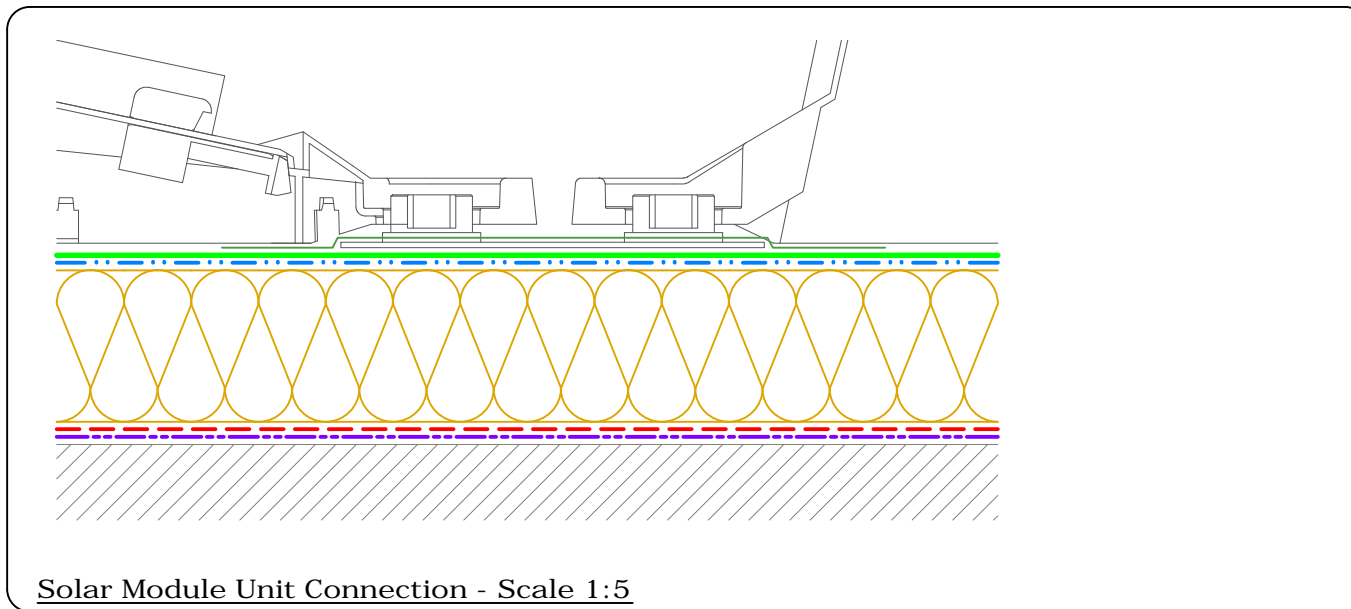
**IMPORTANT NOTE:**  
This Drawing Shows Alternative Details. For the Correct Solution to be Used, Refer to the Project Specific Specification.

**IMPORTANT NOTE:**  
Setting out Dimensions May Differ Depending on Module Type.

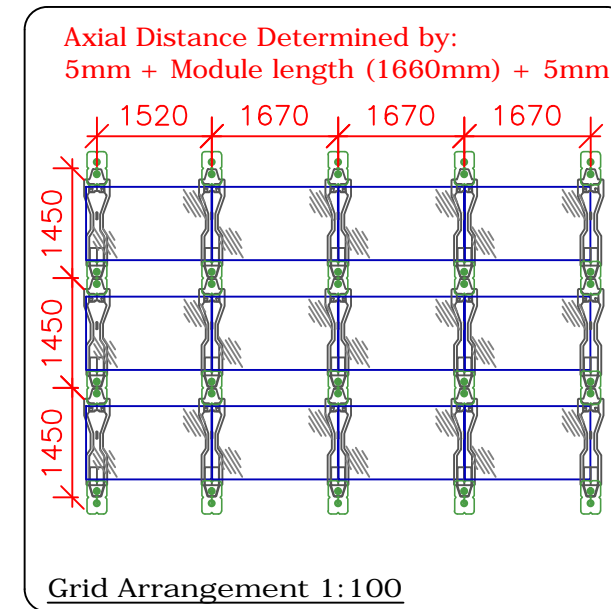
**TIMBER BOARDED DECKS ONLY:**  
Additional Bauder Random Nailed Layer to be Installed Beneath the Vapour Control Layer on the Horizontal Only



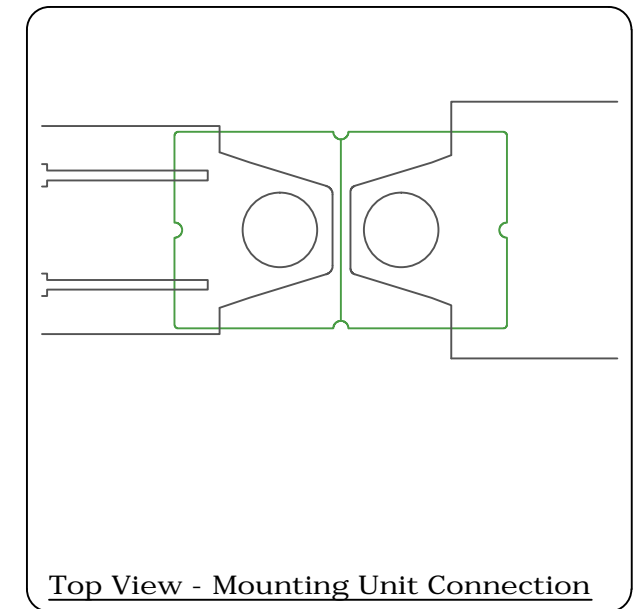
**Solar Module Section - Scale 1:10**



**Solar Module Unit Connection - Scale 1:5**



**Grid Arrangement 1:100**



**Top View - Mounting Unit Connection**

**PV - BauderSolar**

**IMPORTANT NOTES:**

1. This detail is suitable for the following Bauder Systems: **Bauder Total Roof System, Bauderflex, Airtech**
2. Do not scale to ascertain dimensions.
3. All dimensions are in Millimetres and are to be checked and verified on site prior to commencement of work.
4. This drawing is to be read in conjunction with the specification and associated drawings.
5. This detail is a guideline only, representing typical detailing conditions and illustrate the correct application of the above Bauder System. It may be necessary to modify this detail to suit specific project design constraints and conditions.
6. Refer to the Bauder Specification for the deck type, product description and method of application. For clarity the method of attachment has not been shown.
7. Provision should be made by the installer for mechanically fixing the top leading edge of all upstand details in excess of 250mm in height using appropriate fasteners.

**BITUMINOUS STANDARD DETAIL**

Scale:	Drawing Number	Issue.
As Shown	<b>D0100-00W_011-001</b>	<b>01</b>
Drawn By: KM	Checked By: PCH	Approved By: _____ Date: _____

**BAUDER**

**UK OFFICE**  
Bauder Limited  
70 Landseer Road,  
Ipswich,  
Suffolk, IP3 0DH,  
England.  
T: +44 (0)1473 257671  
F: +44 (0)1473 230761  
E: technical@bauder.co.uk  
bauder.co.uk

**IRELAND OFFICE**  
Bauder Limited  
O'Duffy Centre, Cross  
Lane, Carrickmacross,  
Co. Monaghan,  
Ireland.  
T: +353 (0)42 9692 333  
F: +353 (0)42 9692 839  
E: technical@bauder.ie  
bauder.ie