

Bauder Bitumen Refurbishment Outlet DN 95

V2 17.11.2022

Product description

A thermally insulated cast polyurethane rainwater outlet with vertical spigot giving thermal continuity. The outlet comes with a pre-attached bituminous flange to ensure waterproofing integrity between the outlet and membranes. Outlet has a flow rate of 4.0 litres/sec based upon requirements of BS EN 12056:3:2000.



Application fields

For use with Bauder bituminous waterproofing membranes when connecting into conventional gravity drainage systems. The product is designed to be used in cold roof and existing un-insulated roof scenarios. The spigot when fitted into an existing outlet using the 'push fit' seal, will accommodate internal diameters ranging from 100 to 140mm. There are two flexible seals supplied with the outlet. The smaller seal (lip seal) to fit pipework 100 to 110mm and the larger seal (profiled seal) to fit pipework 107 to 140mm. There is no reason to use both seals, so discard the seal that is not required.

Article Number

Bitumen Refurbishment Outlet DN 95 for cold roofs GB60264095

Characteristic	Unit	Value
Length of outlet including spigot	mm	250
Width of outlet opening	mm	87
Width of spigot (external)	mm	93
Width of spigot opening	mm	90
Width of outlet body	mm	229
Width of bituminous flange	mm	495
Length of bituminous flange	mm	495
Flange surface finish (bottom)	-	fleece
Flange surface finish (top)	-	bitumen with a polyethylene film
Weight	kg	1.9
Flow rate performance	litres/sec	4.0*

*Flow rate performance data using a 35mm head of water (including leaf grille), based upon requirements of BS EN 12056:3:2000. Further flow rate performance data can be obtained within this document. For bespoke drainage calculation performance data, please contact Bauder Limited.

Storage guidance

Store under cover. Outlet bituminous flanges that have become wet must be allowed to fully dry out naturally before use. The leaf grille will be supplied with the outlet itself. Please see detail drawing below.

Packaging material

The outlet will be delivered in a cardboard box (readily recyclable). Also, within the cardboard box will be the leaf guard and seals which will come packaged within a low-density polyethylene bag (readily recyclable), which weighs 29 grams.

Handling/PPE

All persons using the product should be fully aware of the manual handling methods as roofing materials are heavy and can cause serious injury. When using the product, installers should be provided with, and wear, suitable personal protective equipment.

Disposal guidance

Disposing of any waste material must be carried out in accordance with national regulations.

Further information/ documents

Current documents such as brochures, installation guides, etc. can be found by visiting www.bauder.co.uk

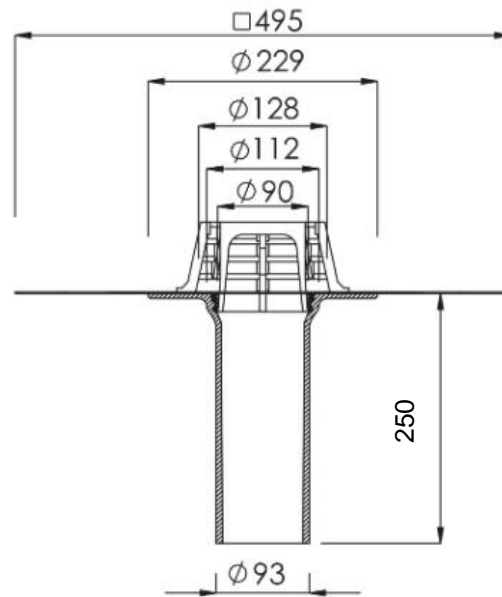
International Standards Organisation (ISO)

ISO 9001:2015 Quality Management
Certificates EN1271 (UK)

ISO 14001:2015 Environmental Management Certificates
A10552 (UK)





Technical data sheet

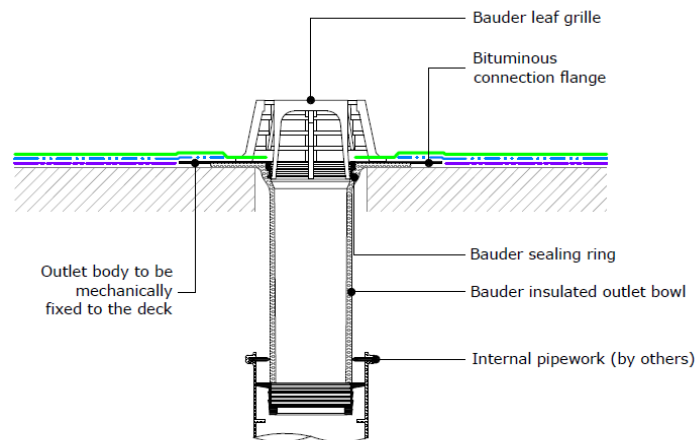
Dimensions:



Detail drawing:

Key

-  Bauder Capping Sheet
-  Bauder Underlayer
-  Bauder Random Nailed Layer used on **TIMBER BOARDED DECKS ONLY**
-  Deck / Substrate



Installation Guidance and data: Please refer to the Bauder Installation Guide and project specification for guidance.

Fixing:

The existing pipe bore should be first cleaned to ensure a good seal.

The outlet is to be secured to the structural deck by a minimum of four fasteners through the outlet rim to obtain an adequate attachment to the deck substrate material.

The appropriate seal to suit the internal diameter of the opening must be fitted before the outlet is inserted into the existing pipe/ outlet. The stepped outlet seal can be trimmed to fit.

When fixing through existing outlets, the long outlet spigot should extend beyond the spigot of the existing unit to form a seal with the downpipe beyond and should then be cut to the length required.

Pipe connection: Bauder Bitumen Refurbishment Outlets are suitable for connection to:

- uPVC "O" ring socketed soil grade pipe to BS 4514: 1983
- Socketed and socket-less cast-iron pipework to BS 416:1973 and EN 887. Socketed pipework will require cold caulking or PVC to cast iron adaptors. Socket-less pipework can be connection using an appropriate SML mechanical coupling.
- HDPE pipework with appropriate SML mechanical coupling

Connectivity to below deck drainage pipework to be the responsibility of the plumbing contractor/drainage engineer.

Technical data sheet

Drainage performance of the Bitumen Refurbishment Outlet:

The figures below are based upon the requirements of BS EN 12056: 3: 2000 and performances are given within 1/3 rainwater pipe capacity limits as required by BS EN 12056.

Flow rates are typically taken using a 35 mm head of water (including leaf grille), which for the Bitumen Refurbishment Outlet DN 95 gives a flow rate performance of 4.0 litres/sec.

	Head of water (mm)										
Size	5	10	15	20	25	30	35	40	45	50	55
95	0.5	1.0	1.4	1.9	2.6	3.3	4.0	4.7	5.3	6.2	7.0

When designing a rainwater scheme, the following considerations should apply:

Always make provision for an additional back-up outlet to ensure that the roof will continue to drain in the event of a blockage, even if a single outlet is deemed to have sufficient flow to drain the area concerned.

Allow a safety factor of 10% above the published maximum outlet capacity to take account of greater than designed storm intensities.

Check that all outlets are correctly installed before completion or handover.

Check that all pipe connections are secure and that the leaf grilles are fitted.

All rainwater outlets should be inspected twice yearly for blockages and to clean out the outlets and remove any debris or leaf litter as part of the routine maintenance schedule.

Safety Data Sheets are designed to provide the necessary information to recipients of substances and mixtures in the EU & UK. This product is classed as an article; therefore, this product does not have a requirement for a Safety Data Sheet.